

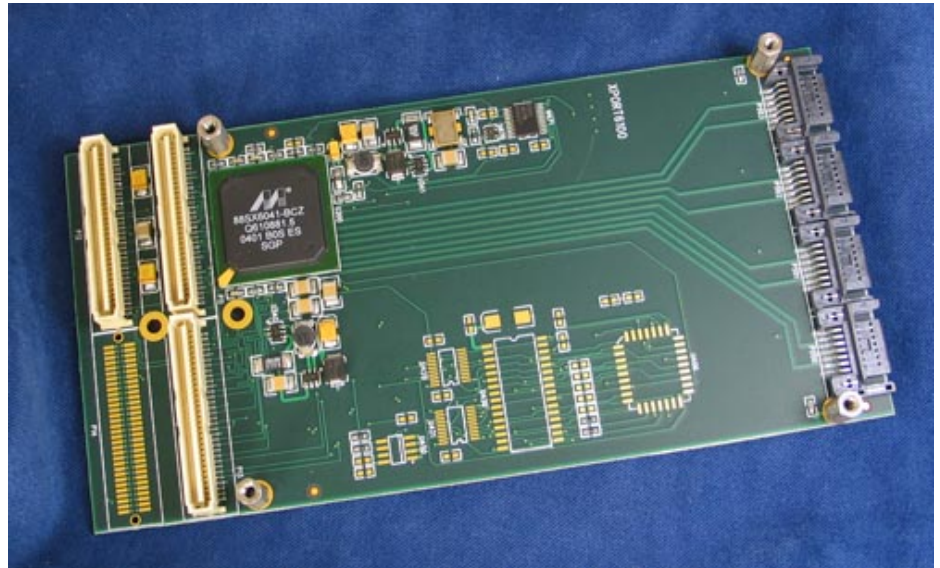
XPort6100

4/8 Port Serial ATA II PCI-X Contoller PMC Module

XPort6100

Features

- Hot-Plug Serial ATA II
- 4 Front Panel SATA Ports
- 4 Optional Back Panel SATA Ports
- Auto detects PCI/PCI-X from 33 to 133 MHz
- Supports 32-bit or 64-bit PCI/PCI-X
- Local Flash ROM, EEPROM
- Enhanced-DMA for each SATA port



Driver Support

- Windows XP
- Windows NT
- Windows 2000
- Windows .NET
- Linux
- Novell Netware

XPort6100 is a 4/8 port Serial ATA II controller with a PCI/PCI-X interface running at up to 133 MHz. XPort6100 is implemented on a single width PCI Mezzanine Card (PMC). All SATA ports are hot-plug Serial ATA 2.0 running at up to 3.0 Gbps. 4 ports are accessed via the front panel SATA connectors. An optional additional 4 ports are available through the back panel SATA connectors.

XPort6100 is based around the Marvell 88SX60x1 Serial ATA II controller with an integrated PCI-X interface. The module is compatible with Windows NT/2000/XP/.NET, Linux, and NetWare ensuring reliable operation under a wide variety of operating systems. A local Flash ROM supports the XPort6100 with a Flash BIOS.

To the system designer XPort6100 provides a high performance solution for access to both internal and external Serial ATA devices.

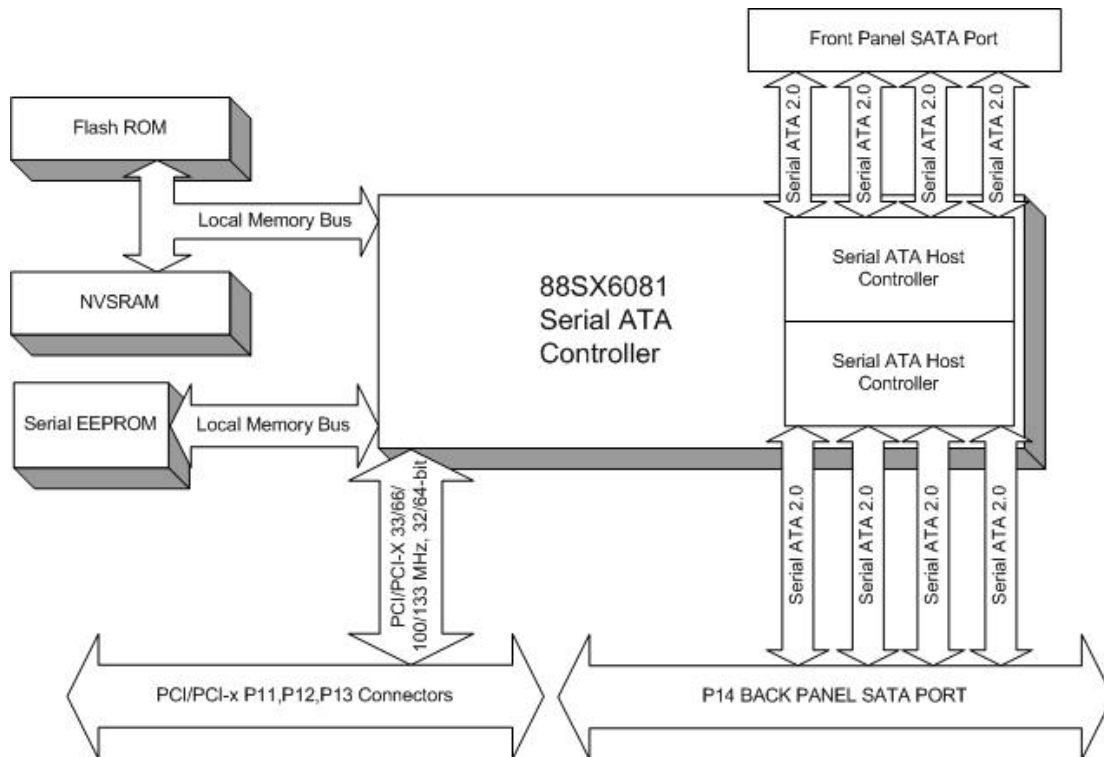
X-ES

Extreme Engineering Solutions...
...Always Fast

For more information on XPort6100:
Visit: <http://www.xes-inc.com/>
Call: 608-833-1155
E-mail: sales@xes-inc.com

Block Diagram

XPort6100



Interfaces

- PCI 33/66 MHz
- PCI-X 66/100/133 MHz
- 32 / 64 bit
- 4 Front panel hot-plug Serial ATA II ports
- 4 Back panel hot-plug Serial ATA II ports

Controller

- Marvell 88SX60x1 4-/8-port Serial ATA II controller
- 4/8 EDMA Channels
- Flash ROM BIOS
- Serial EEPROM

Software

- Windows XP
- Windows NT
- Windows 2000
- Windows .NET
- Linux - x86, MIPS, PPC
- Novell Netware

Physical

- PMC Form Factor
- 149mm x 74mm

Power Requirements

- +3.3V 1.3A 4.3W
- +5.0V 0.0A 0.0W
- +12.0V 0.0A 0.0W
- -12.0V 0.0A 0.0W

Operating Temperature

- 0 to +55C ambient, at board

Humidity

- 0% to 85%

Storage Temperature

- -40 to +70C

