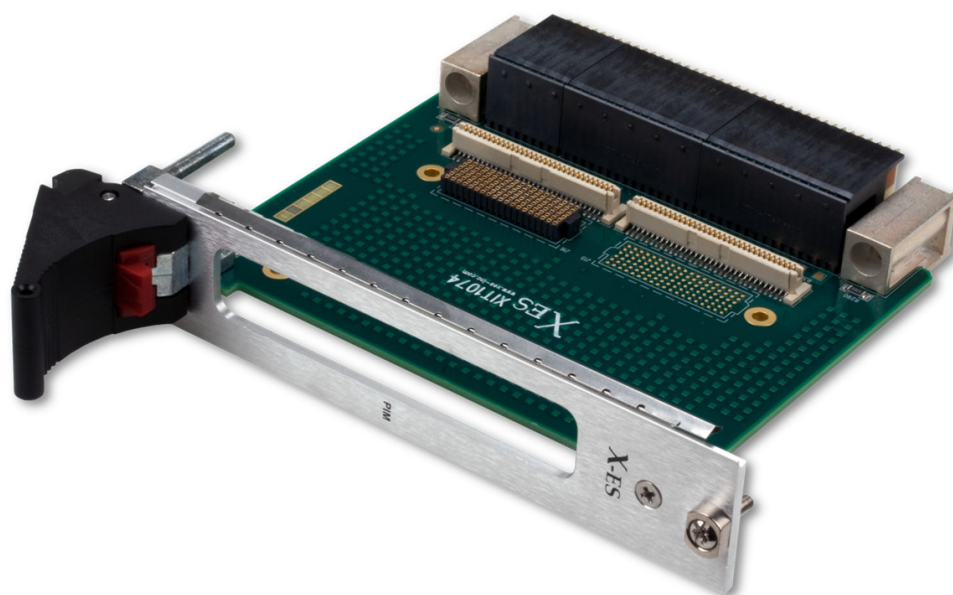


# XIt1074

3U VPX Rear Transition Module with XIM/PIM Carrier

- ▶ 3U VPX Rear Transition Module (RTM)
- ▶ XIM and PIM site support
- ▶ VITA 46.9 P64s and X12d support



## XIt1074

The XIt1074 provides I/O expansion for 3U VPX SBCs. It provides a XIM/PIM interface that supports I/O signal mapping to VPX via the VITA 46.9 P64s pattern for PMC and the X12d pattern for XMC.

# X-ES

Extreme Engineering Solutions

*...Always Fast*

### Extreme Engineering Solutions

3225 Deming Way, Suite 120 • Middleton, WI 53562

Phone: 608.833.1155 • Fax: 608.827.6171

sales@xes-inc.com • <http://www.xes-inc.com>

**XIM/PIM Support**

- One XIM or PIM site
- P64s mapping for PMC
- X12d mapping for XMC
- Faceplate access

**Physical Characteristics**

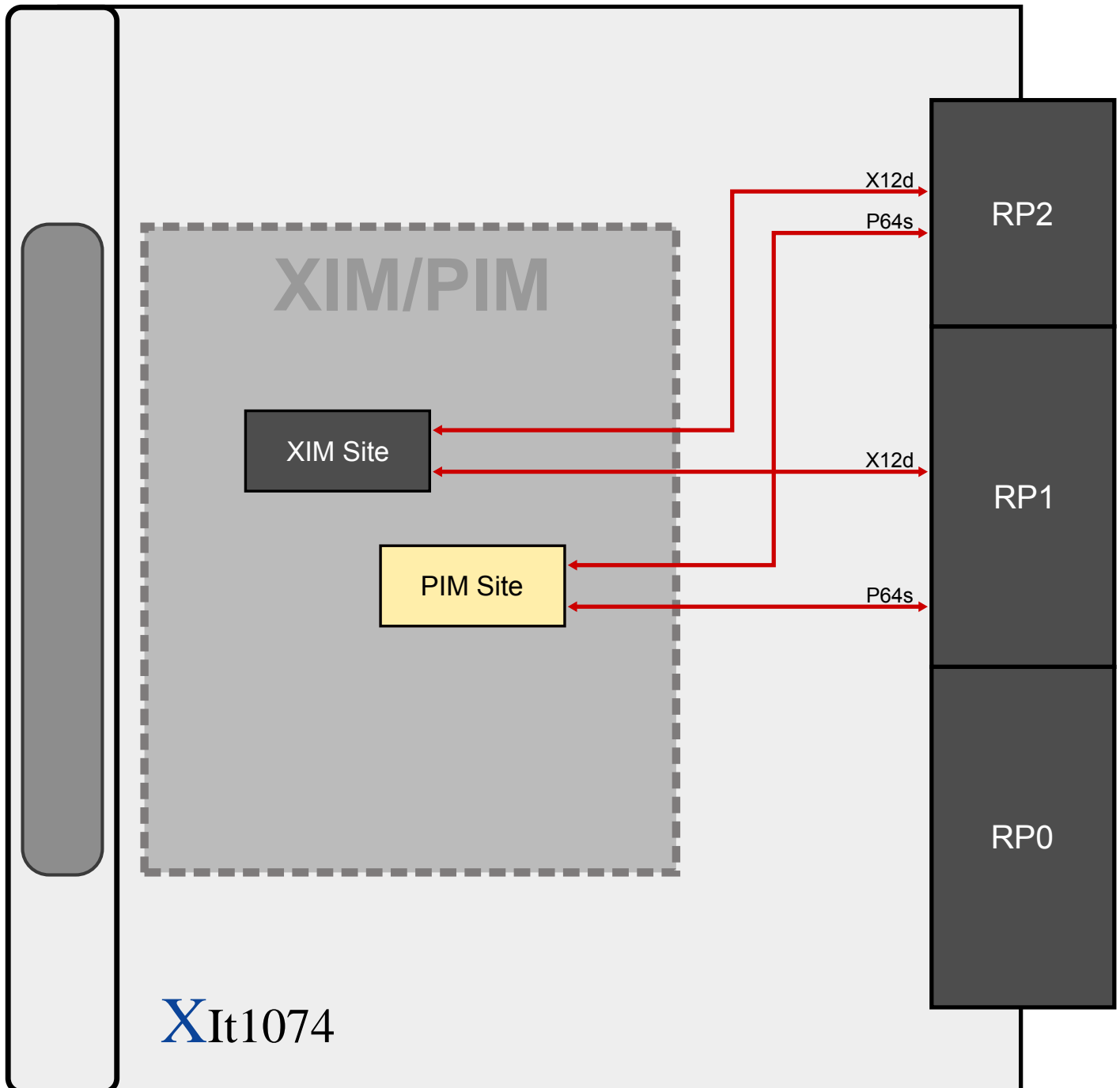
- 3U VPX RTM form factor
- Dimensions: 160 mm x 100 mm
- Weight: 117 g

**Environmental Requirements**

Contact factory for appropriate board configuration based on environmental requirements.

- Supported ruggedization levels (see chart below): 1
- Conformal coating available as an ordering option

Ruggedization Level	Level 1	Level 3	Level 5
Cooling Method	Standard Air-Cooled	Rugged Air-Cooled	Conduction-Cooled
Operating Temperature	0 to +55°C ambient (300 LFM)	-40 to +70°C (600 LFM)	-40 to +85°C (board rail surface)
Storage Temperature	-40 to +85°C ambient	-55 to +105°C ambient	-55 to +105°C ambient
Vibration	0.002 g <sup>2</sup> /Hz, 5 to 2000 Hz	0.04 g <sup>2</sup> /Hz (maximum), 5 to 2000 Hz	0.1 g <sup>2</sup> /Hz (maximum), 5 to 2000 Hz
Shock	20 g, 11 ms sawtooth	30 g, 11 ms sawtooth	40 g, 11 ms sawtooth
Humidity	0% to 95% non-condensing	0% to 95% non-condensing	0% to 95% non-condensing



XIt1074