

XChange3018

End of Life

3U VPX 10 Gigabit Ethernet Switch with Optional Layer 2 Switching and Layer 3 Routing Management Support

Please contact X-ES Sales

- ▶ Non-blocking, full wire-speed, Ethernet switch
- ▶ Layer 2 switching and Layer 3 routing management with extensive IEEE protocol and IETF RFC support (optional)
- ▶ VICTORY Infrastructure Switch and Router support (optional)
- ▶ Four 10GBASE-T or XAUI 10 Gigabit Ethernet ports
- ▶ Six 10/100/1000BASE-T Gigabit Ethernet ports
- ▶ Six 1000BASE-X SerDes Gigabit Ethernet ports
- ▶ Supports the XPedite5205 Cisco IOS® Embedded Services Router (ESR)
- ▶ Ruggedized Enhanced Design Implementation (REDI) per VITA 48
- ▶ Conduction or air cooling
- ▶ IPv4 and IPv6 support
- ▶ Support for jumbo frames up to 12 kB
- ▶ IEEE 1588v2 and SyncE support (optional)
- ▶ NTP, SSH, SNMP, and DHCP server support (optional)
- ▶ Freescale QorIQ P1010 Management Processor
- ▶ IPMI support (optional)



XChange3018

The XChange3018 is a conduction- or air-cooled, 3U VPX, 10 Gigabit Ethernet switch module. The XChange3018 provides four 10 Gigabit Ethernet 10GBASE-T or XAUI ports, six backplane 10/100/1000BASE-T Ethernet ports, and six backplane network 1000BASE-X Ethernet ports. The XChange3018 delivers full wire-speed across all of its ports and supports jumbo packets up to 12 kB. It supports IPv6, and a comprehensive set of IETF RFCs and IEEE protocols. The XChange3018 also can support compliance with the VICTORY specification as an Infrastructure Switch and Router.

When configured as a fully managed Layer 2 switch, support for features such as fast boot, flow control, MAC bridging (IEEE 802.1D), port mirroring, port authentication (IEEE 802.1x), VLANs (IEEE 802.1Q), Quality of Service (QoS), GVRP, MVRP, port and protocol classification (IEEE 802.1v), GARP, MRP, GMRP, MMRP, LACP, RMON, STP, RSTP, MSTP, RPVST+, AgentX, and IGMP are included. When configured as a Layer 3 router, support for Multicast and Unicast Routing features such as DVMRP, IGMP, PIM-DM, PIM-SM, PIM-SSM, MLD, RIP, BGP, OSPFv2/OSPFv3, and VRRP are added.

When paired with the XPedite5205 XMC router module, the XChange3018 includes Cisco IOS® IP routing and Cisco Mobile Ready Net capabilities. With this technology, the router provides highly secure data, voice, and video communications to stationary and mobile network nodes across both wired and wireless links. With the XPedite5205, Cisco IOS® security features are also supported, including hardware encryption, firewalls with integrated threat control, zone-based firewalls, Intrusion Prevention System (IPS), content filtering, identity management using Authentication, Authorization, and Accounting (AAA), and Public Key Infrastructure (PKI).

X-ES

Extreme Engineering Solutions

*“Fast, Flexible, Customer-Focused
Embedded Solutions”*

Extreme Engineering Solutions

9901 Silicon Prairie Parkway • Verona, WI 53593
Phone: 608.833.1155 • Fax: 608.827.6171
sales@xes-inc.com • <https://www.xes-inc.com>

Ethernet

- Four 10GBASE-T or XAUI 10 Gigabit Ethernet interfaces
- Six 10/100/1000BASE-T Ethernet interfaces
- Six 1000BASE-X SerDes Gigabit Ethernet interfaces
- IPv4 and IPv6 support
- Support for jumbo frames up to 12 kB
- Advanced cable open/short detection
- Non-blocking, full wire-speed
- IEEE 1588v2 and SyncE support (optional)

Optional Ethernet Management Features

- Layer 2 switching and Layer 3 routing
- Extensive IEEE protocol and IETF RFC support
- Configuration through CLI or SNMP
- 196 MB packet buffer
- VICTORY Infrastructure Switch and Router support

Management Controller

- Freescale QorIQ P1010 Management Processor at up to 800 MHz
- Up to 2 GB DDR3 ECC SDRAM
- Up to 8 GB NAND flash
- Dual-redundant SPI boot flash
- NTP, SSH, SNMP, and DHCP server support (optional)

XMC

- One XMC site
- Full support for XPedite5205 Cisco IOS® Embedded Services Router (ESR)
- J14 RS-232 I/O routed to P1

Physical Characteristics

- 3U VPX form factor
- Dimensions: 100 mm x 160 mm
- 0.8 in. or 1.0 in. pitch
- Optional VITA 48.2 Type 1 Two-Level Maintenance (2LM) REDI support

Environmental Requirements

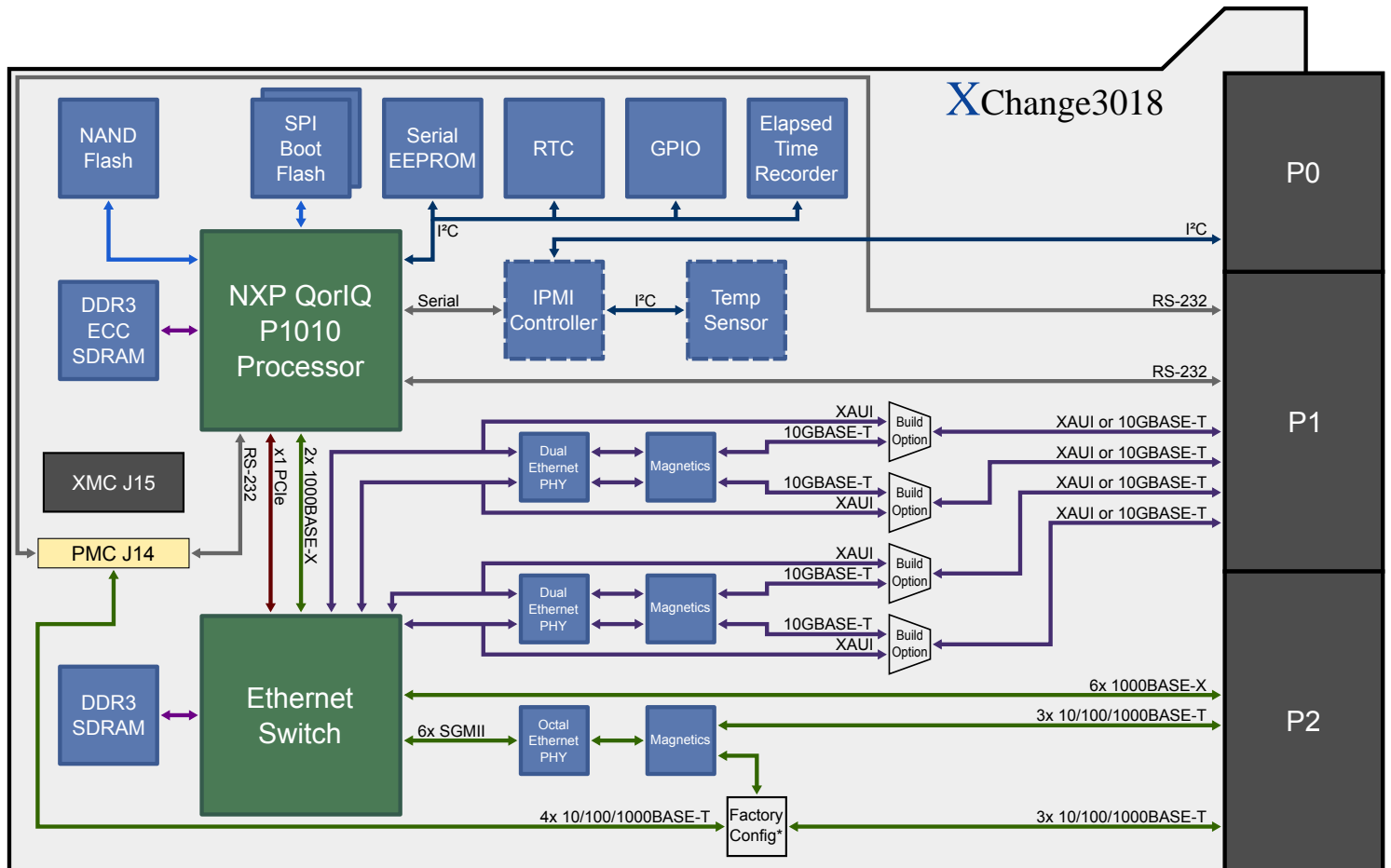
- Contact factory for appropriate board configuration based on environmental requirements.
- Supported ruggedization levels (see chart below): 1, 3, 5
 - Conformal coating available as an ordering option

Power Requirements

- Power will vary based on configuration and usage. Please consult factory.

Ruggedization Level	Level 1	Level 3	Level 5
Cooling Method	Standard Air-Cooled	Rugged Air-Cooled	Conduction-Cooled
Operating Temperature	0 to +55°C ambient †	-40 to +70°C ambient †	-40 to +85°C (board rail surface)
Storage Temperature	-40 to +85°C ambient	-55 to +105°C ambient	-55 to +105°C (maximum)
Vibration	0.002 g ² /Hz (maximum), 5 to 2000 Hz	0.04 g ² /Hz (maximum), 5 to 2000 Hz	0.1 g ² /Hz (maximum), 5 to 2000 Hz
Shock	20 g, 11 ms sawtooth	30 g, 11 ms sawtooth	40 g, 11 ms sawtooth
Humidity	Up to 95% non-condensing	Up to 95% non-condensing	Up to 95% non-condensing

† Contact factory for airflow rate details.



* Configuration	Switch-to-VPX Ports	Router-to-VPX Ports	Router-to-Switch Ports
No Router	3	0	0
Router	1	2	2
Router Firewall	2	1	1
x3 Router	0	3	1