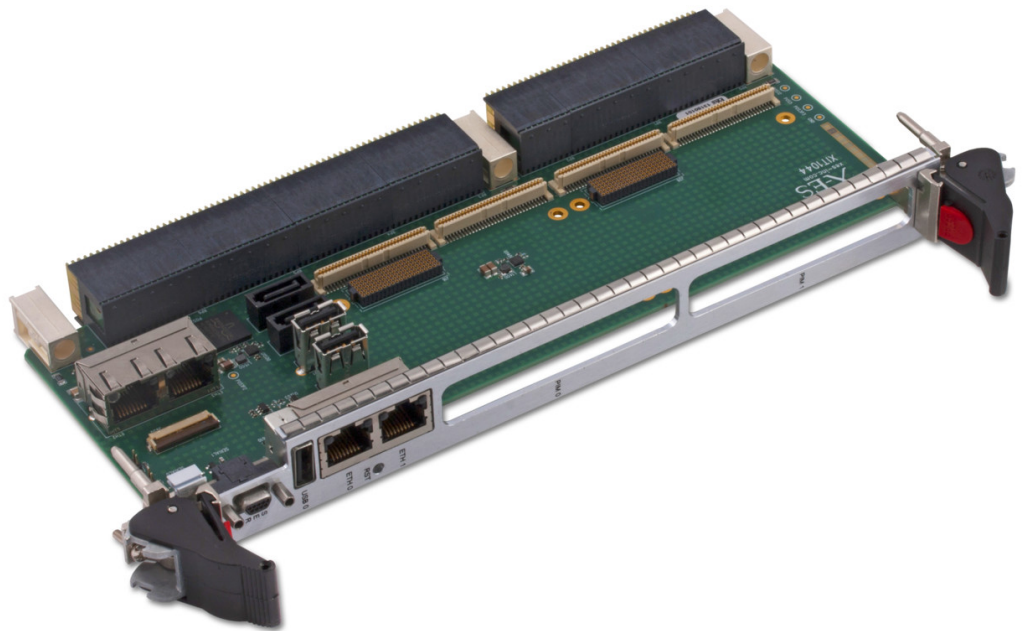


# XIt1044

6U VPX Rear Transition Module with Gigabit Ethernet, SATA, USB, Serial, and XIM/PIM Sites

- ▶ 6U VPX Rear Transition Module (RTM)
- ▶ VITA 46.10
- ▶ Four 10/100/1000BASE-T Ethernet ports
- ▶ Two RS-232 serial ports
- ▶ Three USB 2.0 ports
- ▶ Two SATA ports
- ▶ Two XIM/PIM sites
- ▶ Includes Module Maskable reset switch



## XIt1044

The XIt1044 is a VITA 46.10-compliant 6U VPX Rear Transition Module (RTM) that supports I/O breakout from various X-ES single board computers (SBCs). When installed in an RTM slot of an appropriate 6U VPX backplane, the XIt1044 routes I/O signals from an associated SBC's rear panel P2-P6 connectors through the VPX backplane to connectors on the XIt1044 to allow connection of these signals to external equipment.

The XIt1044 routes four 10/100/1000BASE-T Ethernet ports to RJ-45 connectors, two RS-232 ports to a micro-DB-9 connector, three USB ports to type USB A connectors, and two SATA ports to standard SATA connectors.

Two XIM/PIM sites are provided for breakout of mezzanines installed on the corresponding SBC's P14/P16 or P24/P26 connectors to the XIt1044's front panel via the appropriate XIM/PIM. A Module Maskable reset switch is also included.

# X-ES

Extreme Engineering Solutions

*...Always Fast*

### Extreme Engineering Solutions

9901 Silicon Prairie Parkway • Verona, WI 53593  
 Phone: 608.833.1155 • Fax: 608.827.6171  
 sales@xes-inc.com • <https://www.xes-inc.com>

**Ethernet**

- Four 10/100/1000BASE-T Ethernet ports to RJ-45 connectors

**Serial**

- Two RS-232 ports to a micro-DB-9 connector

**USB**

- One USB 2.0 port to type A connector on front panel
- Two USB 2.0 ports to internal vertical type A connectors

**SATA**

- Two SATA ports to internal vertical SATA connectors

**XIM/PIM**

- Connectivity per VITA 65 P3w1P4-P64s+X12d+X8d and P5w1P6-P64s+X12d+X8d

**Physical Characteristics**

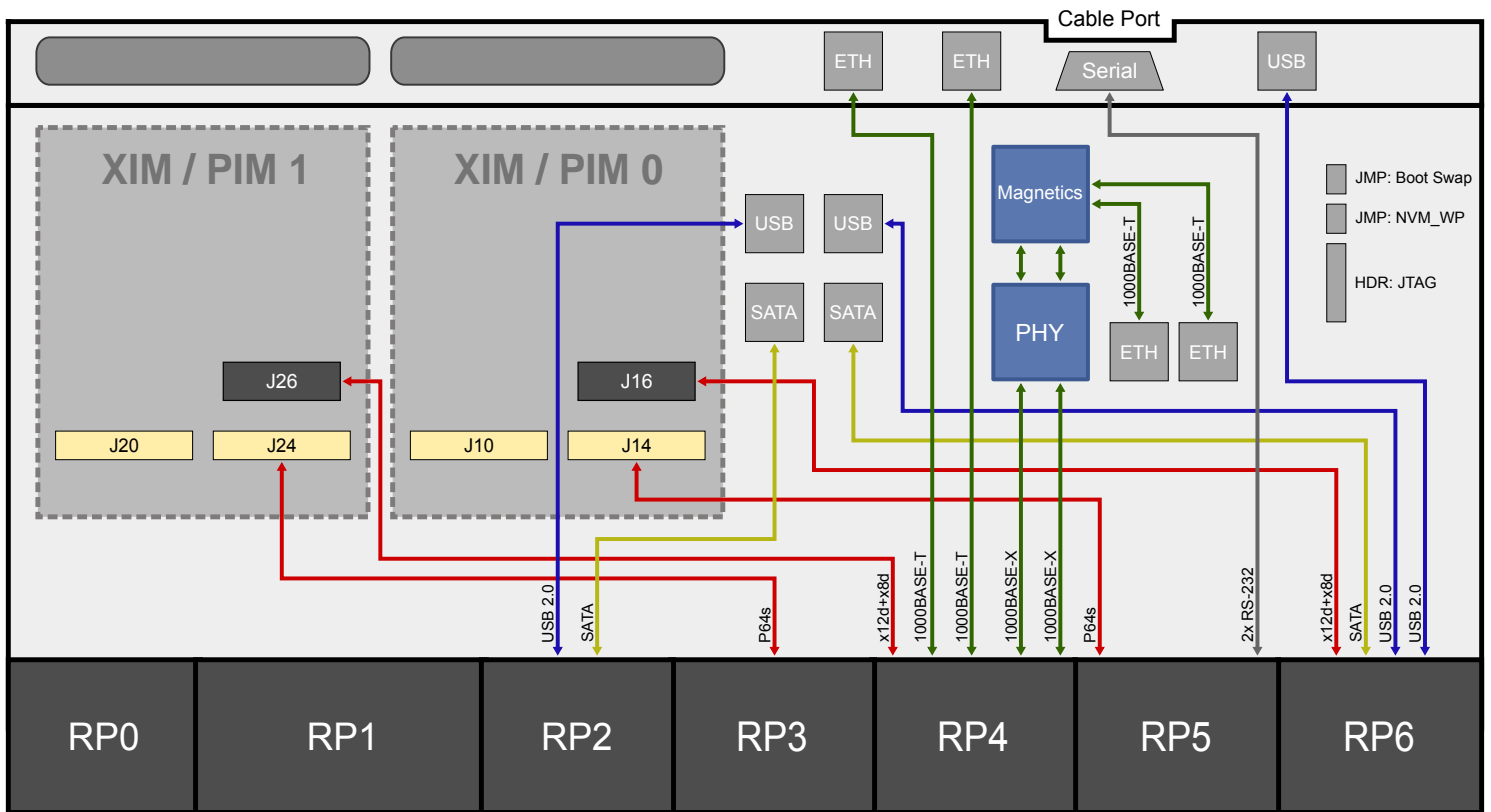
- VPX Rear Transition Module (RTM), VITA 46.10
- 1.0 in. pitch
- Dimensions: 233.35 mm x 80 mm

**Environmental Requirements**

Contact factory for appropriate board configuration based on environmental requirements.

- Supported ruggedization levels (see chart below): 1
- Conformal coating available as an ordering option

Ruggedization Level	Level 1	Level 3	Level 5
Cooling Method	Standard Air-Cooled	Rugged Air-Cooled	Conduction-Cooled
Operating Temperature	0 to +55°C ambient (300 LFM)	-40 to +70°C (600 LFM)	-40 to +85°C (board rail surface)
Storage Temperature	-40 to +85°C ambient	-55 to +105°C ambient	-55 to +105°C (maximum)
Vibration	0.002 g <sup>2</sup> /Hz (maximum), 5 to 2000 Hz	0.04 g <sup>2</sup> /Hz (maximum), 5 to 2000 Hz	0.1 g <sup>2</sup> /Hz (maximum), 5 to 2000 Hz
Shock	20 g, 11 ms sawtooth	30 g, 11 ms sawtooth	40 g, 11 ms sawtooth
Humidity	0% to 95% non-condensing	0% to 95% non-condensing	0% to 95% non-condensing



XIt1044