

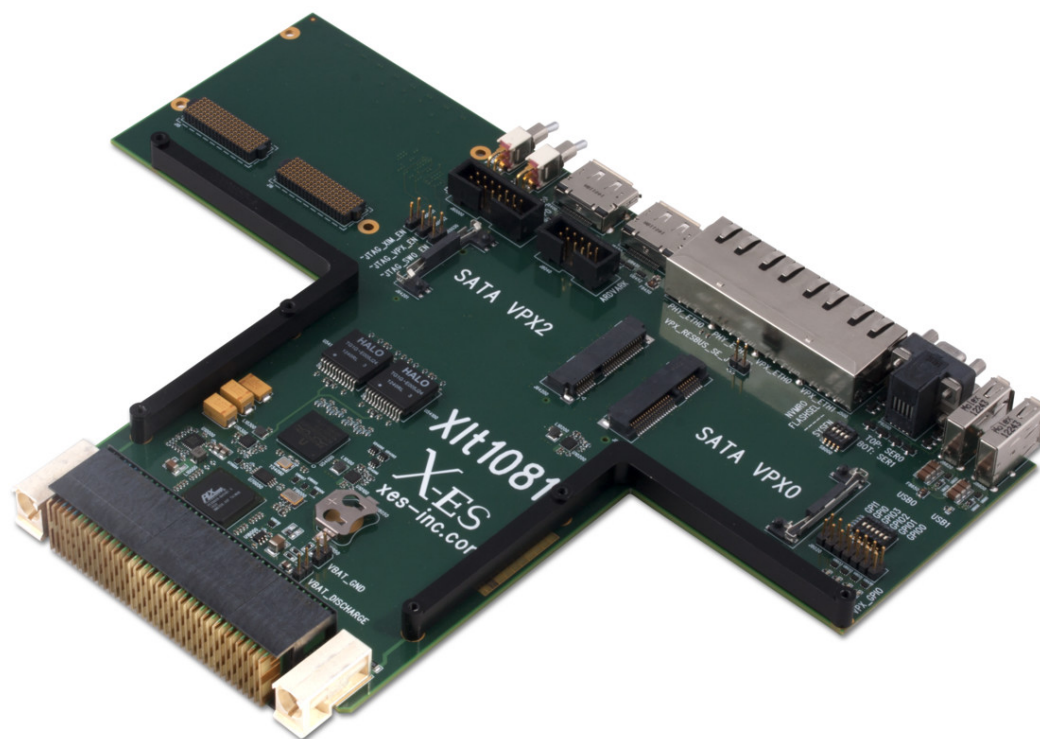
XIt1081

End of Life

3U VPX Rear Transition Module with Gigabit Ethernet, SATA, USB, Serial, and DisplayPort

Please contact X-ES Sales

- ▶ 3U VPX Rear Transition Module
- ▶ Support for X-ES' 3U VPX SBC module I/O
- ▶ Two DisplayPort connectors for Dual-Mode DisplayPort interface
- ▶ Four mSATA connectors
- ▶ Two micro-DB-9 connectors for dual RS-232/422/485 serial ports
- ▶ Two USB connectors
- ▶ Four RJ-45 connectors 10/100/1000BASE-T
- ▶ XIM site for X12d breakout
- ▶ Fits in VITA 46.10 RTM slots
- ▶ 1.0 in. pitch
- ▶ Battery holder to power VBAT



XIt1081

The XIt1081 provides I/O expansion for 3U VPX SBCs. Its T-shaped design fits in VITA 46.10 RTM slots and allows for convenient access to more I/O connectors than standard VITA 46.10 RTMs.

The XIt1081 supports two RS-232/422/485 ports, four SATA ports, four 10/100/1000BASE-T ports, two DisplayPort interfaces, and two USB ports in its default configuration. A XIM site allows for X12d breakout.

X-ES

Extreme Engineering Solutions

*“Fast, Flexible, Customer-Focused
Embedded Solutions”*

Extreme Engineering Solutions

9901 Silicon Prairie Parkway • Verona, WI 53593
Phone: 608.833.1155 • Fax: 608.827.6171
sales@xes-inc.com • <https://www.xes-inc.com>

Back Panel I/O

- Four RJ-45 connectors for 10/100/1000BASE-T ports
- Two micro-DB-9 for dual RS-232/422/485 serial ports
- Two USB connectors
- Two DisplayPort connectors
- XIM site to breakout X12d

Physical Characteristics

- 3U VPX RTM form factor
- Fits in VITA 46.10 RTM slots
- Overall dimensions: 243 mm x 171.5 mm. Please contact factory for exact T-shaped dimensions by side.
- 1.0 in. pitch

Environmental Requirements

Contact factory for appropriate board configuration based on environmental requirements.

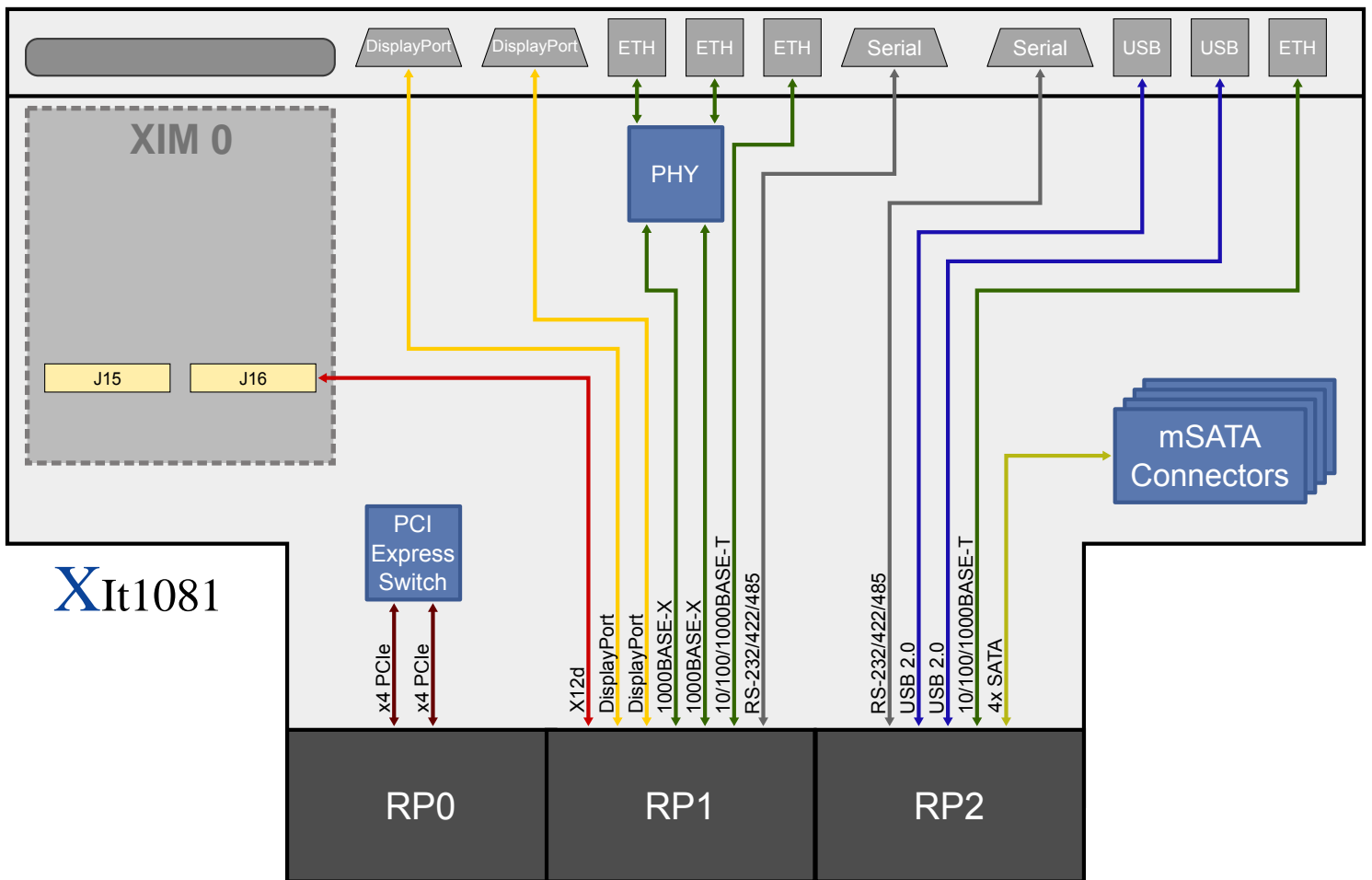
- Supported ruggedization levels (see chart below): 1
- Conformal coating available as an ordering option

Internal I/O

- Four mSATA connectors
- Battery holder
- GPIO header
- I²C header

Ruggedization Level	Level 1
Cooling Method	Standard Air-Cooled
Operating Temperature	0 to +55°C ambient †
Storage Temperature	-40 to +85°C ambient
Vibration	0.002 g ² /Hz (maximum), 5 to 2000 Hz
Shock	20 g, 11 ms sawtooth
Humidity	Up to 95% non-condensing

† Contact factory for airflow rate details.



XIt1081