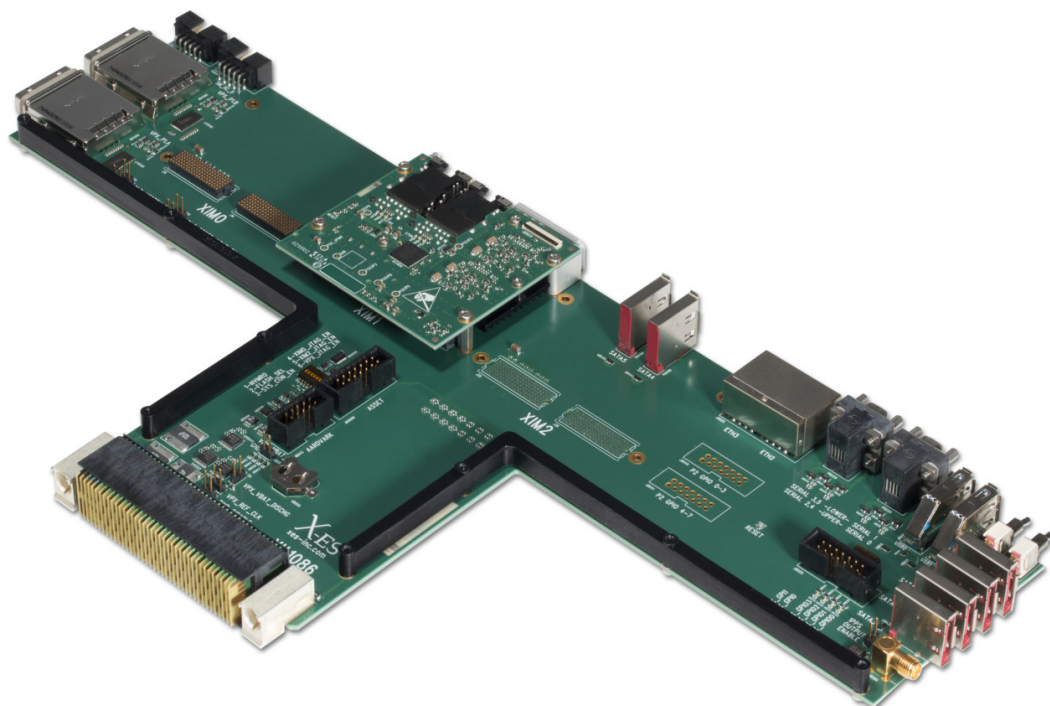


XIt1086

3U VPX Rear Transition Module with PCIe, 10 Gigabit Ethernet, eSATA, USB, Serial, and Expandable XIM Sites

- ▶ 3U VPX Rear Transition Module
- ▶ Support for X-ES' 3U VPX SBC module I/O
- ▶ Up to six eSATA connectors
- ▶ Four micro-DB-9 connectors for dual RS-232/422/485 serial ports
- ▶ Two USB 3.0 connectors
- ▶ Up to four RJ-45 connectors for 10/100/1000BASE-T ports
- ▶ XIM site to support two 10GBASE-T ports
- ▶ XIM site for X12d breakout
- ▶ XIM site for P2w1-w10 GPIO
- ▶ Two x4 iPass™ connectors for P1.A and P1.B
- ▶ SMA connector for 1PPS input
- ▶ Headers and toggle switches for GPIO, interrupts, and resets inputs
- ▶ Fits in VITA 46.10 RTM slots
- ▶ 1.0 in. pitch
- ▶ Battery holder to power VBAT



XIt1086

The XIt1086 provides I/O expansion for 3U VPX SBCs. Its T-shaped design fits in VITA 46.10 RTM slots and allows for convenient access to more I/O connectors than standard VITA 46.10 RTMs. Its flexible design allows for easy development with many X-ES 3U VPX products.

The XIt1086 supports up to four RS-422/485 ports or six RS-232 ports, up to six eSATA ports, up to four 10/100/1000BASE-T ports, two USB 3.0 ports, 1PPS input, and access to GPIO and interrupt inputs.

Two 10/100/1000BASE-T ports can be replaced with a XIM module to support two 10GBASE-T ports. Two additional XIM sites allow for easy customization to make use of the X12d signals from P1 and user-defined I/O from P2 (wafers 1-10).

X-ES

Extreme Engineering Solutions

...Always Fast

Extreme Engineering Solutions

9901 Silicon Prairie Parkway • Verona, WI 53593
 Phone: 608.833.1155 • Fax: 608.827.6171
 sales@xes-inc.com • <https://www.xes-inc.com>

Back Panel I/O

- Up to four RJ-45 connectors for 10/100/1000BASE-T ports
- Four micro-DB-9 connectors for dual RS-232/422/485 serial ports
- Two USB 3.0 connectors
- Up to six eSATA connectors
- 1PPS input SMA connector
- Two system management I²C connectors
- XIM site to breakout X12d
- XIM site to breakout P2 GPIO
- XIM site to support 10GBASE-T Ethernet

Internal I/O

- Battery holder
- GPIO header
- I²C header

Physical Characteristics

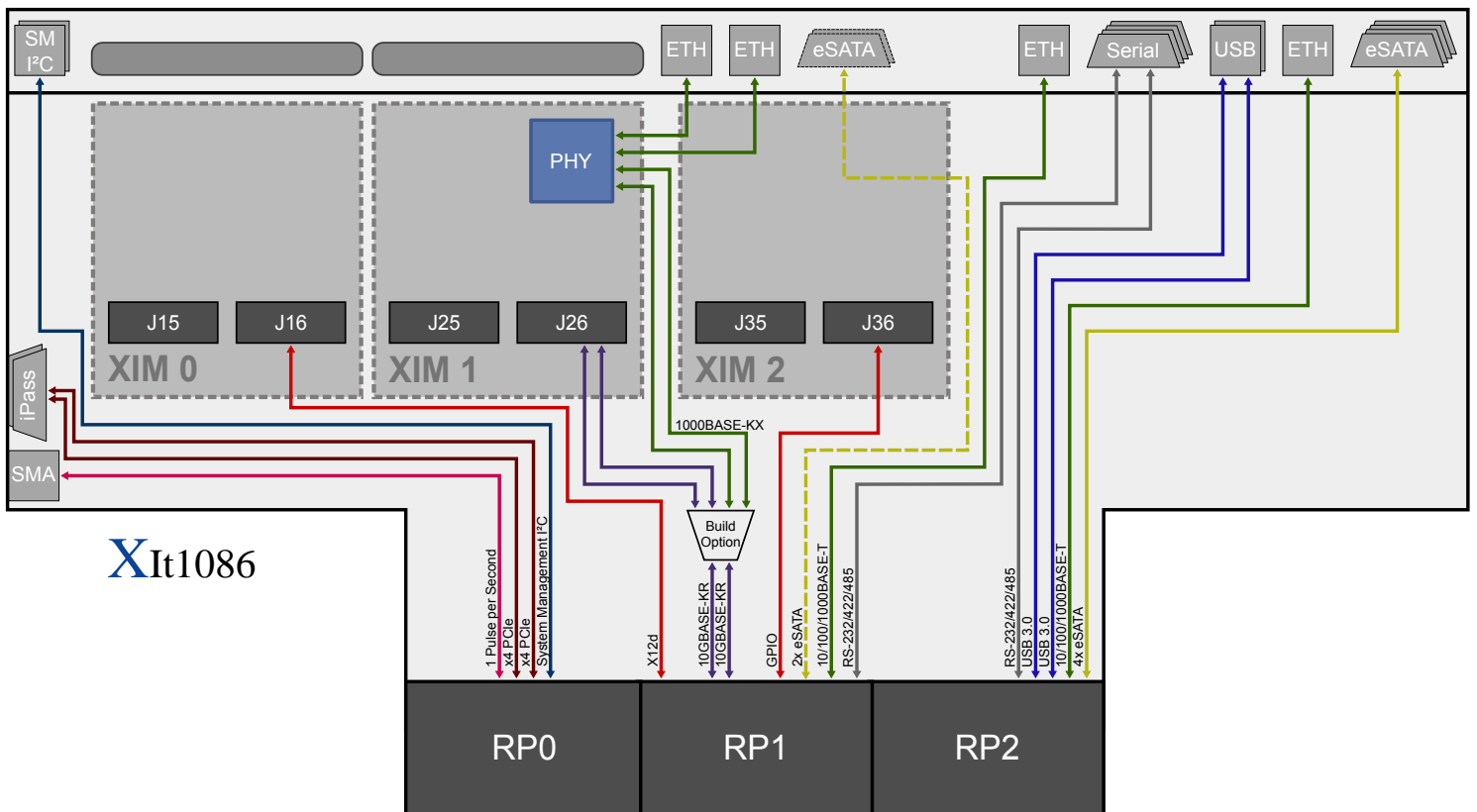
- 3U VPX RTM form factor
- Fits in VITA 46.10 RTM slots
- Overall dimensions: 393 mm x 192 mm, including connector overhang. Please contact factory for exact T-shaped dimensions by side.
- 1.0 in. pitch

Environmental Requirements

Contact factory for appropriate board configuration based on environmental requirements.

- Supported ruggedization levels (see chart below): 1
- Conformal coating available as an ordering option

Ruggedization Level	Level 1	Level 3	Level 5
Cooling Method	Standard Air-Cooled	Rugged Air-Cooled	Conduction-Cooled
Operating Temperature	0 to +55°C ambient (300 LFM)	-40 to +70°C (600 LFM)	-40 to +85°C (board rail surface)
Storage Temperature	-40 to +85°C ambient	-55 to +105°C ambient	-55 to +105°C (maximum)
Vibration	0.002 g ² /Hz (maximum), 5 to 2000 Hz	0.04 g ² /Hz (maximum), 5 to 2000 Hz	0.1 g ² /Hz (maximum), 5 to 2000 Hz
Shock	20 g, 11 ms sawtooth	30 g, 11 ms sawtooth	40 g, 11 ms sawtooth
Humidity	0% to 95% non-condensing	0% to 95% non-condensing	0% to 95% non-condensing



XIt1086