

XIt1087

3U VPX Rear Transition Module for XPedite8171 3U VPX SBC and XPedite5205 Embedded Router Assembly

- ▶ 3U VPX Rear Transition Module
- ▶ Support for X-ES' XPedite8171 with XPedite5205 router installed.
- ▶ Two Mini DisplayPort interfaces or HDMI ports
- ▶ Two USB 2.0 female Type A ports
- ▶ Three micro-DB-9 serial ports
- ▶ Four 10/100BASE-TX Ethernet ports and three 10/100/1000BASE-T Ethernet ports
- ▶ Two mSATA connectors
- ▶ Fits in VITA 46.10 RTM slots



XIt1087

The XIt1087 provides I/O expansion for the XPedite8171 3U VPX SBC, with additional support for XPedite5205 embedded router assemblies. Its T-shaped design fits in VITA 46.10 RTM slots and allows for convenient access to more I/O connectors than standard VITA 46.10 RTMs.

The XIt1087 can support up to two Mini DisplayPort interfaces or HDMI ports, two RS-232/422/485 serial ports, two SATA ports, two USB ports, and up to three Gigabit Ethernet ports, all from the XPedite8171. For the XPedite5205 I/O, it can support up to two 10/100/1000BASE-T ports, two 10/100BASE-TX ports, and one RS-232/422/485 serial port.

X-ES

Extreme Engineering Solutions

...Always Fast

Extreme Engineering Solutions

9901 Silicon Prairie Parkway • Verona, WI 53593
 Phone: 608.833.1155 • Fax: 608.827.6171
 sales@xes-inc.com • <https://www.xes-inc.com>

XPedite8171 3U VPX SBC I/O

- Two Mini DisplayPort interfaces or HDMI ports
- Two USB 2.0 female Type A ports
- Two micro-DB-9 serial ports
- Up to three Gigabit Ethernet ports. Can be configured as two 1000BASE-X and one 10/100/1000BASE-T or two 10/100/1000BASE-T.
- Two mSATA ports

XPedite5205 Router I/O

- One micro-DB-9 serial port
- Two Gigabit Ethernet ports
- Two 10/100BASE-TX Ethernet ports

Physical Characteristics

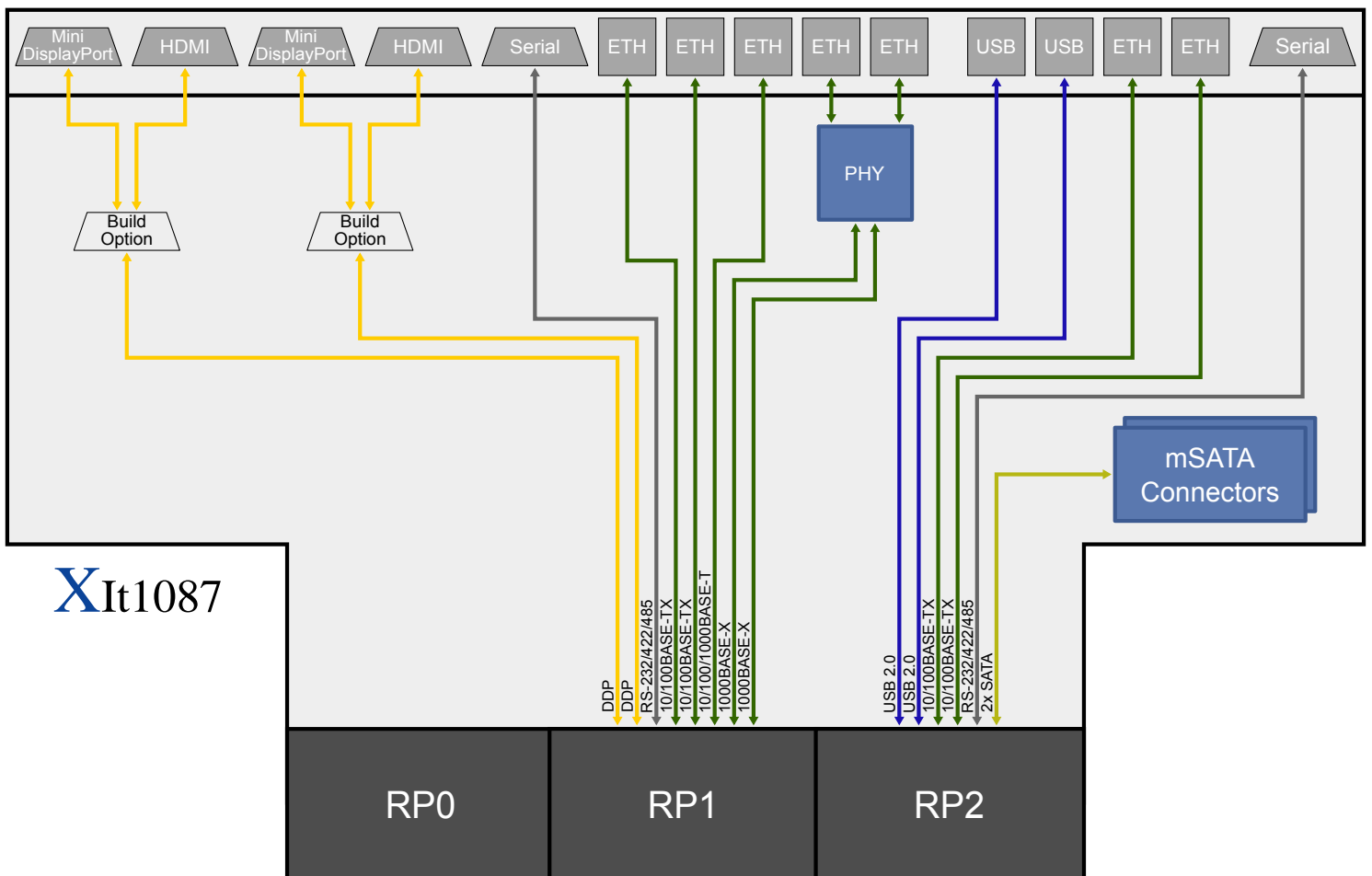
- 3U VPX RTM form factor
- Fits in VITA 46.10 RTM slots
- Overall dimensions: 10.548 in. x 6.422 in. Please contact factory for exact T-shaped dimensions by side.
- 1.0 in. pitch

Environmental Requirements

Contact factory for appropriate board configuration based on environmental requirements.

- Supported ruggedization levels (see chart below): 1
- Conformal coating available as an ordering option

Ruggedization Level	Level 1	Level 3	Level 5
Cooling Method	Standard Air-Cooled	Rugged Air-Cooled	Conduction-Cooled
Operating Temperature	0 to +55°C ambient (300 LFM)	-40 to +70°C (600 LFM)	-40 to +85°C (board rail surface)
Storage Temperature	-40 to +85°C ambient	-55 to +105°C ambient	-55 to +105°C (maximum)
Vibration	0.002 g ² /Hz (maximum), 5 to 2000 Hz	0.04 g ² /Hz (maximum), 5 to 2000 Hz	0.1 g ² /Hz (maximum), 5 to 2000 Hz
Shock	20 g, 11 ms sawtooth	30 g, 11 ms sawtooth	40 g, 11 ms sawtooth
Humidity	0% to 95% non-condensing	0% to 95% non-condensing	0% to 95% non-condensing



XIt1087