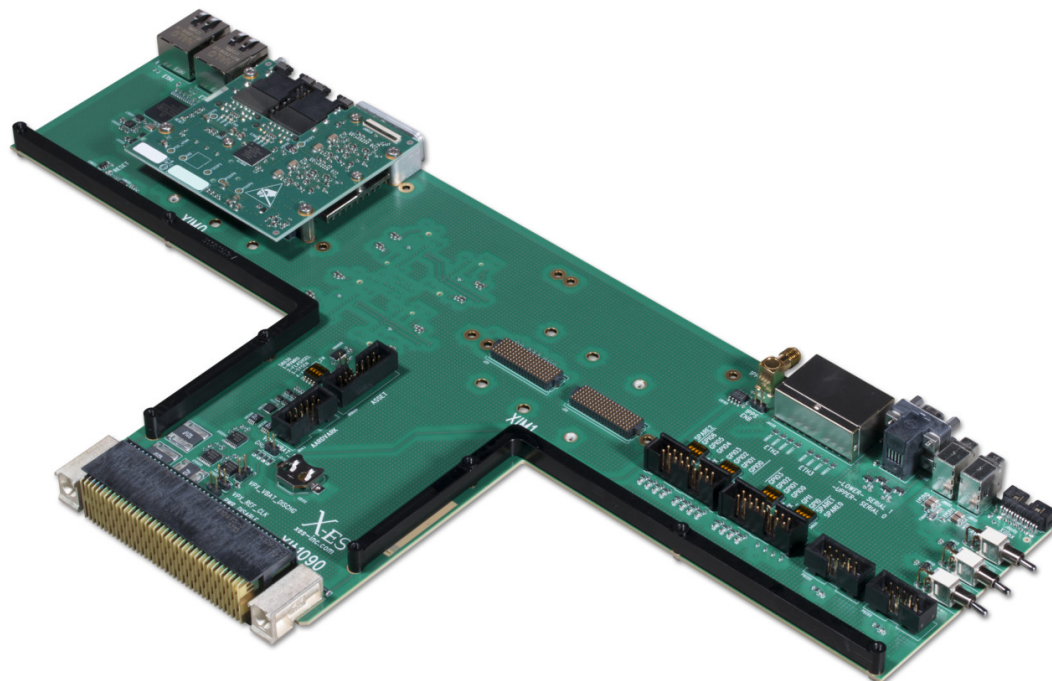


XIt1090

3U VPX Rear Transition Module with 10 Gigabit Ethernet, SATA, USB, Serial, and XIM Sites

- ▶ 3U VPX Rear Transition Module
- ▶ Two micro-DB-9 connectors for two RS-232/422/485 serial ports
- ▶ Two USB 2.0 connectors
- ▶ Four RJ-45 connectors for four 10/100/1000BASE-T Ethernet ports
- ▶ Four M.2 sites to support four SATA ports
- ▶ One XIM site to support two 10GBASE-T Ethernet ports
- ▶ One XIM site to support X8d+X12d breakout
- ▶ Headers and toggle switches for GPIO, interrupt, and reset inputs
- ▶ Fits in VITA 46.10 RTM slots
- ▶ 1.0 in. pitch
- ▶ Battery holder to power VBAT



XIt1090

The XIt1090 provides I/O expansion for the XPedite7677 Intel® Xeon® D 3U VPX single board computer (SBC). Its T-shaped design fits in VITA 46.10 RTM slots and allows for convenient access to more I/O connectors than standard VITA 46.10 RTMs.

The XIt1090 supports up to two RS-232/422/485 serial ports, four 10/100/1000BASE-T Ethernet ports, four SATA ports, two USB 2.0 ports, 1PPS input, and access to interrupt inputs.

One XIM site allows support for up to two 10GBASE-T Ethernet ports. One additional XIM site allows for access to the X8d+X12d signals from P2.

X-ES

Extreme Engineering Solutions

...Always Fast

Extreme Engineering Solutions

9901 Silicon Prairie Parkway • Verona, WI 53593
 Phone: 608.833.1155 • Fax: 608.827.6171
 sales@xes-inc.com • <https://www.xes-inc.com>

Back Panel I/O

- Four RJ-45 connectors for four 10/100/1000BASE-T Ethernet ports
- Two micro-DB-9 connectors for two RS-232/422/485 serial ports
- Two USB 2.0 connectors
- 1PPS input SMA connector
- One XIM site to support X8d+X12d breakout
- One XIM site to support two 10GBASE-T Ethernet ports

Internal I/O

- Four M.2 sites to support four SATA ports
- Battery holder
- GPIO header
- I²C header

Physical Characteristics

- 3U VPX RTM form factor
- Fits in VITA 46.10 RTM slots
- Overall dimensions: 388 mm x 179 mm. Please contact factory for exact T-shape dimensions by side.
- 1.0 in. pitch

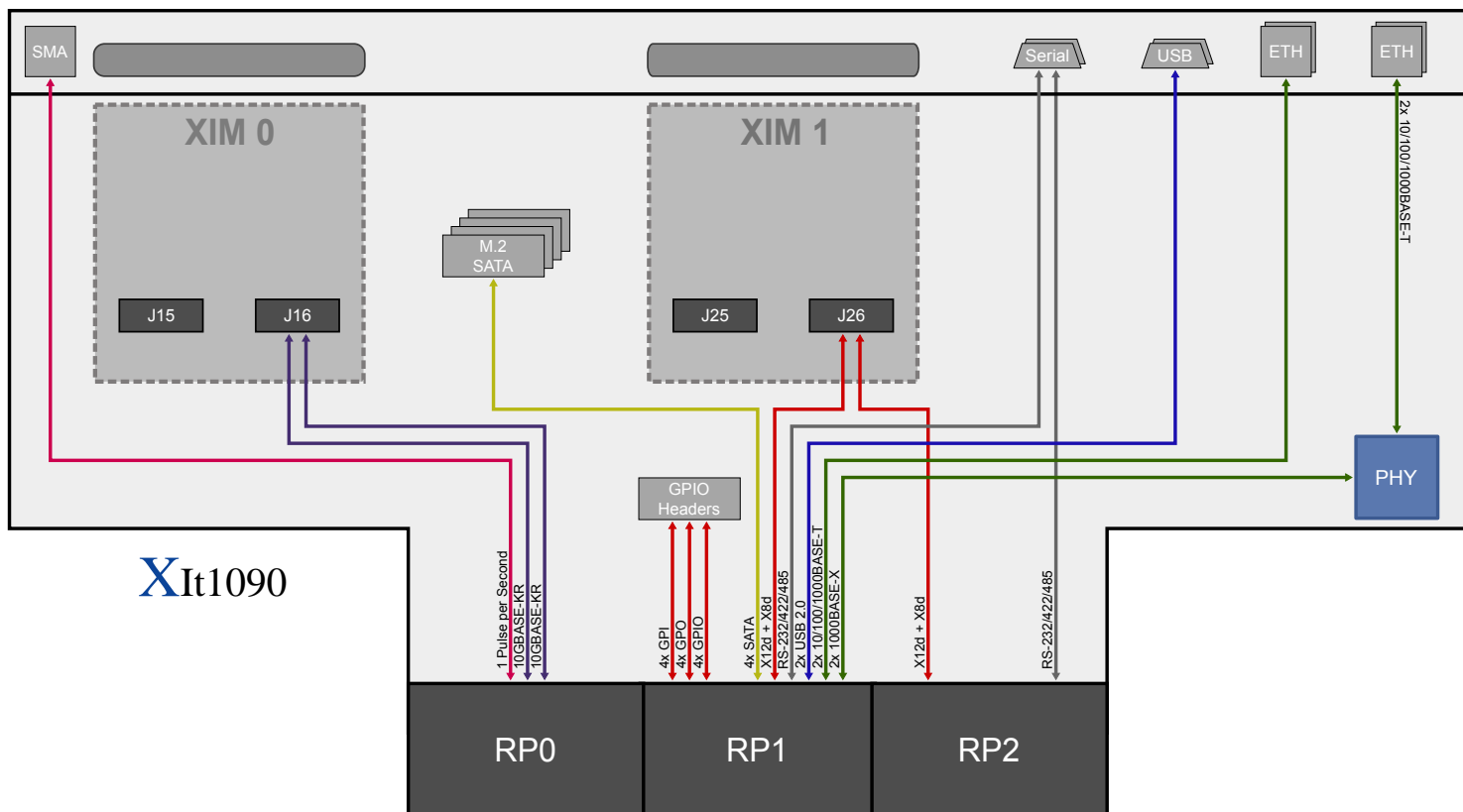
Environmental Requirements

Contact factory for appropriate board configuration based on environmental requirements.

- Supported ruggedization levels (see chart below): 1
- Conformal coating available as an ordering option

Ruggedization Level	Level 1	Level 3	Level 5
Cooling Method	Standard Air-Cooled	Rugged Air-Cooled	Conduction-Cooled
Operating Temperature	0 to +55°C ambient †	-40 to +70°C ambient †	-40 to +85°C (board rail surface)
Storage Temperature	-40 to +85°C ambient	-55 to +105°C ambient	-55 to +105°C (maximum)
Vibration	0.002 g ² /Hz (maximum), 5 to 2000 Hz	0.04 g ² /Hz (maximum), 5 to 2000 Hz	0.1 g ² /Hz (maximum), 5 to 2000 Hz
Shock	20 g, 11 ms sawtooth	30 g, 11 ms sawtooth	40 g, 11 ms sawtooth
Humidity	0% to 95% non-condensing	0% to 95% non-condensing	0% to 95% non-condensing

† Contact factory for airflow rate details.



XIt1090