

XPand6020

End of Life (EOL)

Small Form Factor (SFF) System Featuring XPedite5205 Running Cisco IOS® and XPedite7450 **Please see XPand6052**

- › Integrated XPedite5205: NIST FIPS 140-2 Overall Level 1 validated on certificate #2242
- › Integrated XPedite5205: NIAP Common Criteria Certified
- › Runs Cisco IOS® software
- › Cisco® Unified Communications Manager Express (CME) support
- › Cisco® Mobile Ready Net, which allows for mobile ad hoc networking and radio aware routing
- › Hardware acceleration and encryption
- › Integrated threat control using Cisco IOS® Firewall, Cisco IOS® Zone-based Firewall, Cisco IOS® Intrusion Prevention System (IPS), and Cisco IOS® Content Filtering
- › Identity management using authentication, authorization, and accounting (AAA) and public key infrastructure
- › Dimensions: 7.70 in. (L) x 4.88 in. (W) x 2.10 in. (H)
- › Conduction cooling



XPand6020

The XPand6020 is a Small Form Factor (SFF) system that features an XPedite5205, which runs Cisco IOS® Software with Cisco® Mobile Ready Net capabilities, and an XPedite7450 for general processing. The combination of XPedite5205 and XPedite7450 provides a high-performance router with plenty of computing power for any application. The XPand6020 can be utilized as a development platform or a deployed system.

The XPedite5205 uses the same Cisco IOS® that IT staffs in the military, energy, public safety, and other industries are already trained on, enabling these organizations to expand their network to personnel, equipment, facilities, and vehicles at the edge of the network – warfighters on the battlefield, mines and drilling platforms, natural disaster mobile command centers – without any additional training. The XPand6020 can be connected to UHF, VHF, Wi-Fi, and other IP-based radio platforms to create the network nodes used to form mobile ad hoc networks (MANETs). Able to operate without a connection to central infrastructure, MANETs offer many advantages for military, public safety, and emergency response users. The XPedite5205 extends the Cisco® enterprise infrastructure beyond the reach of traditional fixed-network infrastructure for oil and gas, mining, smart grid, heavy construction, transportation, homeland security, and public safety applications.

The router offers high performance, four Gigabit Ethernet interfaces, and a rich Cisco IOS® Software feature set for the most Size, Weight, and Power (SWaP)-constrained applications. To meet the needs of demanding mobile and embedded networking applications, the XPand6020 provides hardware encryption, radio aware routing (RAR) with support for the latest Dynamic Link Exchange Protocol (DLEP), support for IPv6, integrated threat control with integrated Cisco IOS® firewalls and Intrusion Prevention System (IPS), and Quality of Service (QoS).

X-ES

Extreme Engineering Solutions

...Always Fast

Extreme Engineering Solutions

9901 Silicon Prairie Parkway • Verona, WI 53593
 Phone: 608.833.1155 • Fax: 608.827.6171
 sales@xes-inc.com • <https://www.xes-inc.com>

Physical Characteristics

Dimensions do not include connectors

- Dimensions: 7.70 in. (L) x 4.88 in. (W) x 2.10 in. (H)
- Weighs less than 4 lbs.
- Environmentally sealed

Configuration

- Includes XPedite7450 Intel® Core™ i7 ruggedized COM Express module
- XPedite5205 Cisco IOS® router
- Slim SATA SSD module (optional)

System External I/O (Optional)

- Reset
- Non-volatile write protection
- Primary/secondary BIOS flash select
- Battery input for real time clocks (RTCs)

XPedite5205 External I/O

- Four 10/100/1000BASE-T Ethernet ports
- One console RS-232/422/485 serial port
- One auxiliary RS-232/422/485 serial port
- D38999 circular connector

XPedite5205 Internal I/O

- x8 PCI Express Gen2 link to XPedite7450

XPedite7450 External I/O

- Two 10/100/1000BASE-T Ethernet ports
- Two RS-232/422/485 serial ports
- Two USB ports
- One VGA display interface
- One DisplayPort/DVI/HDMI display interface

XPedite7450 Internal I/O

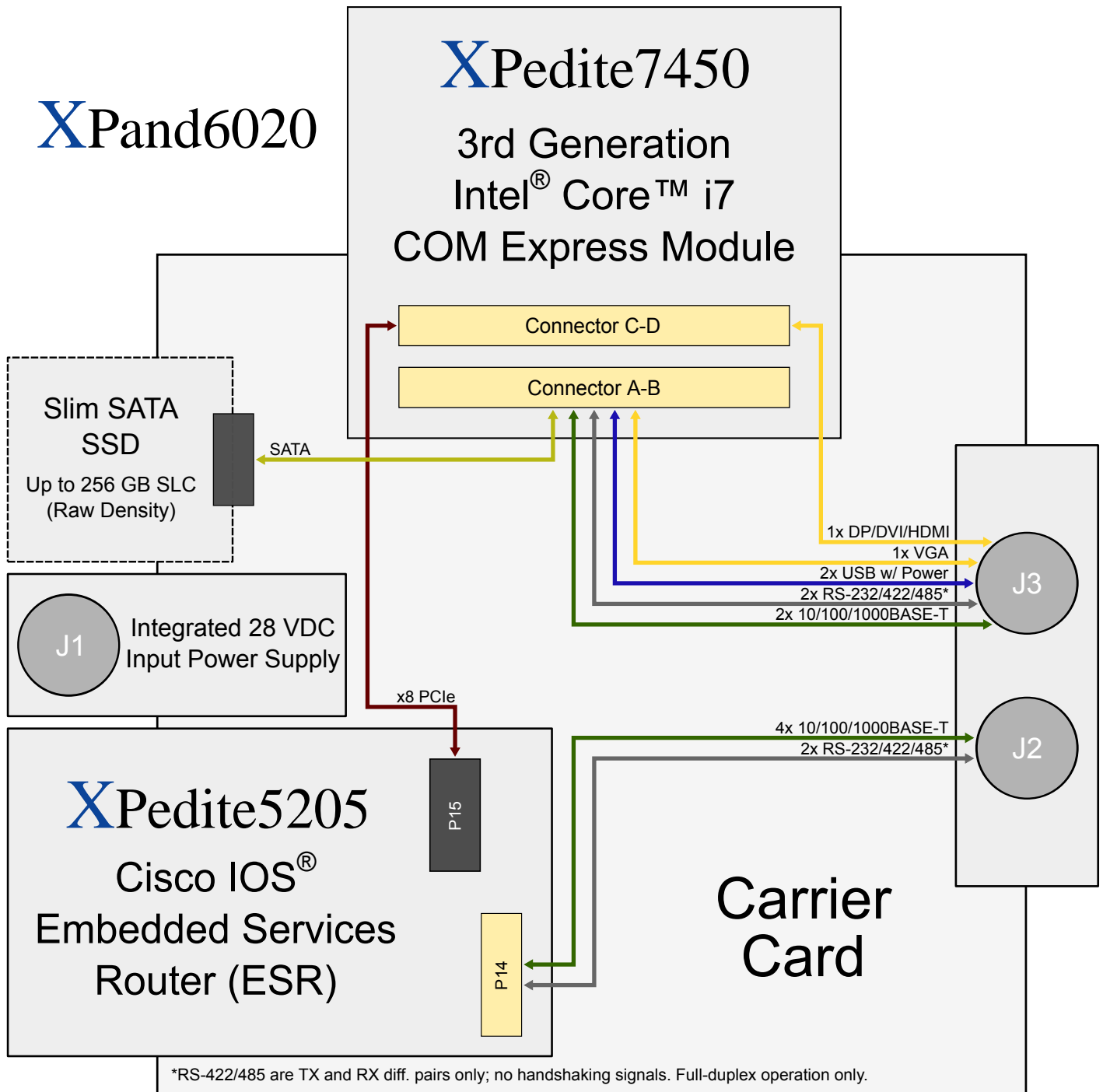
- x8 PCI Express Gen2 link to XPedite5205
- One SATA port capable of 3 Gb/s to optional Slim SATA Solid-State Drive (SSD)

Accessories

- Development kits are available. Please consult factory.

Power Supply

- Integrated MIL-STD-704 28 VDC input voltage power supply
- Integrated MIL-STD-461 EMI filtering



*RS-422/485 are TX and RX diff. pairs only; no handshaking signals. Full-duplex operation only.