

# XPm2222

**End of Life**

MIL-STD-704A/E/F and MIL-STD-1275D 28 VDC VITA 62.0 3U VPX Power Supply with MIL-STD-461F EMI Filtering

Please contact X-ES Sales

- ▶ MIL-STD-704A/E/F and MIL-STD-1275D 28 VDC input voltage
- ▶ MIL-STD-461F EMI filtering
- ▶ VITA 62.0 form factor VPX power supply
- ▶ Up to 260 W output on 3.3 V, 5 V, and  $\pm 12$  V
- ▶ Isolated 3.3 V AUX supply
- ▶ Reverse-polarity protection to -52 V steady state
- ▶ Spike and surge transient suppression
- ▶ Short circuit, overcurrent, and overvoltage protection
- ▶ Output overvoltage clamping circuitry
- ▶ Up to 87% efficient
- ▶ -40°C to 85°C conduction-cooled operating temperature (at the thermal interface)
- ▶ VITA 48.2 REDI-compliant
- ▶ 1.0 in. pitch with Two-Level Maintenance (2LM) support
- ▶ VITA 46.11 Tier-1 and Tier-2 IPMI controller for on-card voltage monitoring and control



## XPm2222

The XPm2222 is a VITA 62.0 form factor 3U VPX power supply. The XPm2222 takes in a MIL-STD-704A/E/F or MIL-STD-1275D 28 VDC input voltage and provides up to 260 W on 3.3 V, 5 V, and  $\pm 12$  V at up to 87% efficiency. The XPm2222 also provides on-card MIL-STD-461F EMI filtering, MIL-STD-1275D transient suppression, and 10 ms of holdup time at 200 W output power.

The XPm2222 fits in a VITA 62-compliant 3U VPX 1.0 in. slot. Up to 16 A on 12 V, 0.5 A on -12 V, 15 A on 5 V, 12 A on 3.3 V, and 0.8 A on 3.3 V auxiliary can be supported on each rail, separately. The XPm2222 can provide a combined total output power of up to 260 W at maximum operating temperature.

The XPm2222 also features a VITA 46.11 Tier-1 and Tier-2 Intelligent Platform Management Interface (IPMI) controller which monitors input and output voltages and temperatures. In addition, the IPMI controller can enable/disable output power.

# X-ES

Extreme Engineering Solutions

*“Fast, Flexible, Customer-Focused  
Embedded Solutions”*

### Extreme Engineering Solutions

9901 Silicon Prairie Parkway • Verona, WI 53593  
Phone: 608.833.1155 • Fax: 608.827.6171  
sales@xes-inc.com • <https://www.xes-inc.com>

**Input Conditions**

- MIL-STD-704A/E/F or MIL-STD-1275D 28 VDC
- MIL-STD-461F EMI filtering
- 20 V to 32 V steady state at full output
- 14 V to 32 V steady state at 200 W output
- Reverse-polarity protection to -52 V steady state
- Spikes and surge protection

**Output Power**

- Supports up to 260 W in total combined power output
- 3.3 V at up to 12 A
- 5 V at up to 15 A
- 12 V at up to 16 A (with other rails unloaded)
- 12 V at up to 14.5 A (all other rails loaded)
- -12 V at up to 0.5 A
- 3.3 V auxiliary at up to 0.8 A

**IPMI Controller**

- VITA 46.11 Tier 1 and Tier 2 IPMI Controller (IPMC)
- Enable/disable output power
- Monitors voltages and currents
- Monitors eight temperature sensors
- Connects to backplane via system management bus (I<sup>2</sup>C)

**Additional Features**

- Up to 87% efficient
- Short circuit protection
- Overvoltage protection
- 10 ms holdup at 200 W output power
- Output rail clamping

**Physical Characteristics**

Contact X-ES for CAD model if desired

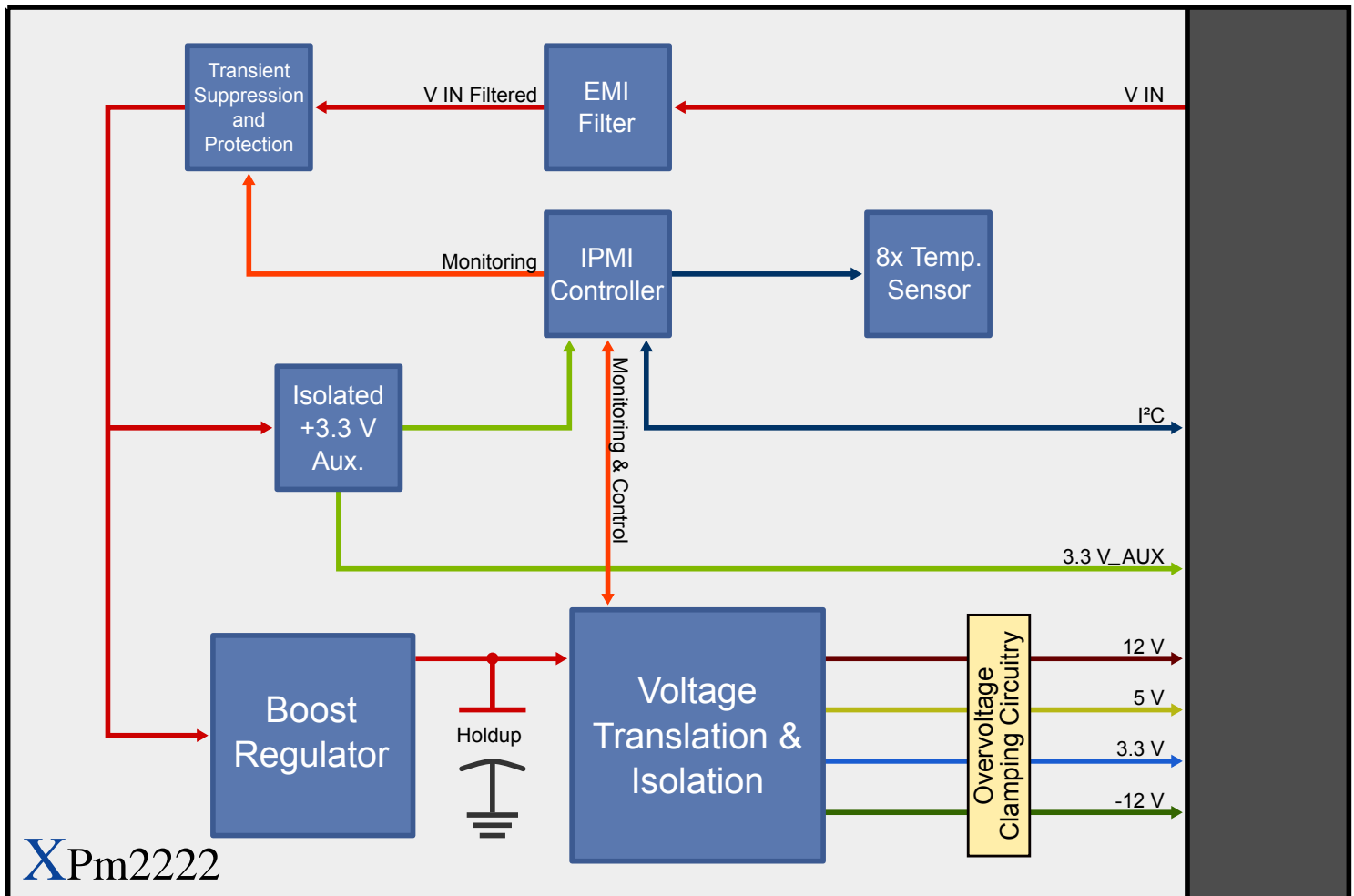
- 3U VPX-REDI conduction-cooled form factor
- Dimensions: 100 mm x 160 mm
- 1.0 in. pitch Two-Level Maintenance (2LM)

**Environmental Requirements**

Contact X-ES for appropriate board configuration based on environmental requirements.

- Supported ruggedization levels (see chart below): 5
- Conformal coating available as an ordering option

<b>Ruggedization Level</b>	<b>Level 5</b>
<b>Cooling Method</b>	Conduction-Cooled
<b>Operating Temperature</b>	-40 to +85°C (board rail surface)
<b>Storage Temperature</b>	-55 to +105°C (maximum)
<b>Vibration</b>	0.1 g <sup>2</sup> /Hz (maximum), 5 to 2000 Hz
<b>Shock</b>	40 g, 11 ms sawtooth
<b>Humidity</b>	Up to 95% non-condensing



XPm2222