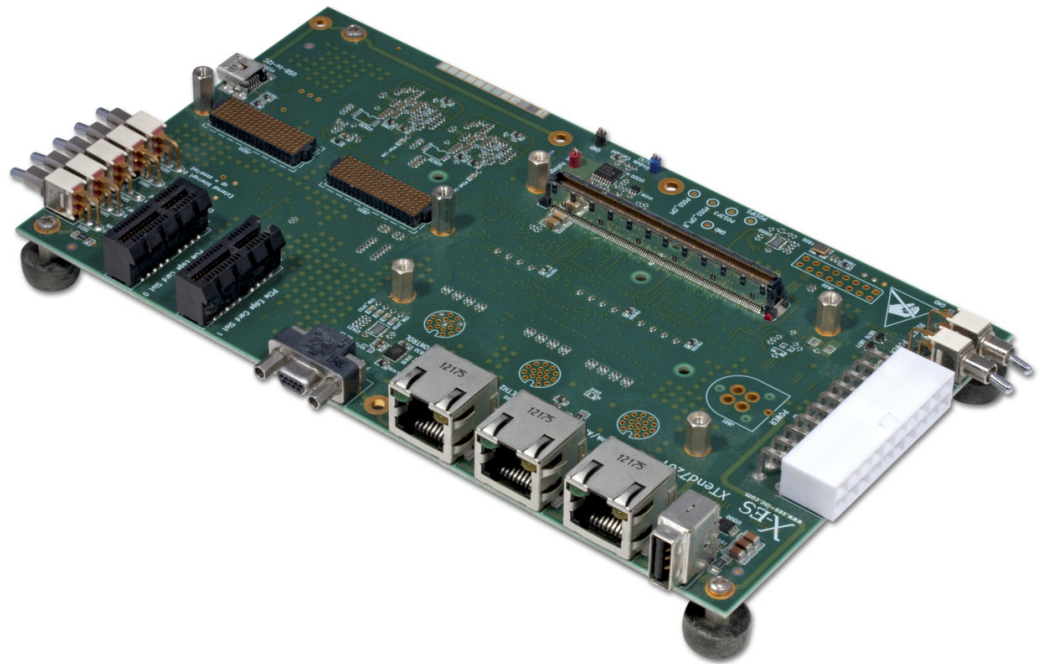


# XTend7201

XPedite5551 COM Express® Carrier for Development and Testing

- › Single COM Express® site with AB connectors
- › Full support for all XPedite5551 I/O
- › Up to two x1 PCIe Edge Card slots
- › Integrated thermal protection
- › Supports a QUICC Engine™ development site



## XTend7201

The XTend7201 is a COM Express® carrier designed to provide access to all XPedite5551 I/O in a small form factor. The XTend7201 utilizes an off-the-shelf ATX power supply to provide a simple, low cost development setup.

All 64 QUICC Engine™ signals are routed to the XTend7201's QUICC development site. The site is available for customers to develop their own conversion circuitry board to convert the QUICC Engine™ signals into RS-232/422.

# X-ES

Extreme Engineering Solutions

*...Always Fast*

### Extreme Engineering Solutions

9901 Silicon Prairie Parkway • Verona, WI 53593  
 Phone: 608.833.1155 • Fax: 608.827.6171  
 sales@xes-inc.com • <https://www.xes-inc.com>

**COM Express®**

- Supports XPedite5551 COM Express® Mini module pinout

**COM Express® Rear I/O**

- Three 10/100/1000BASE-T Ethernet ports
- One USB port
- One RS-232 serial port
- Configuration switches
- Two x1 PCIe interfaces
- QUICC development site

**Environmental Requirements**

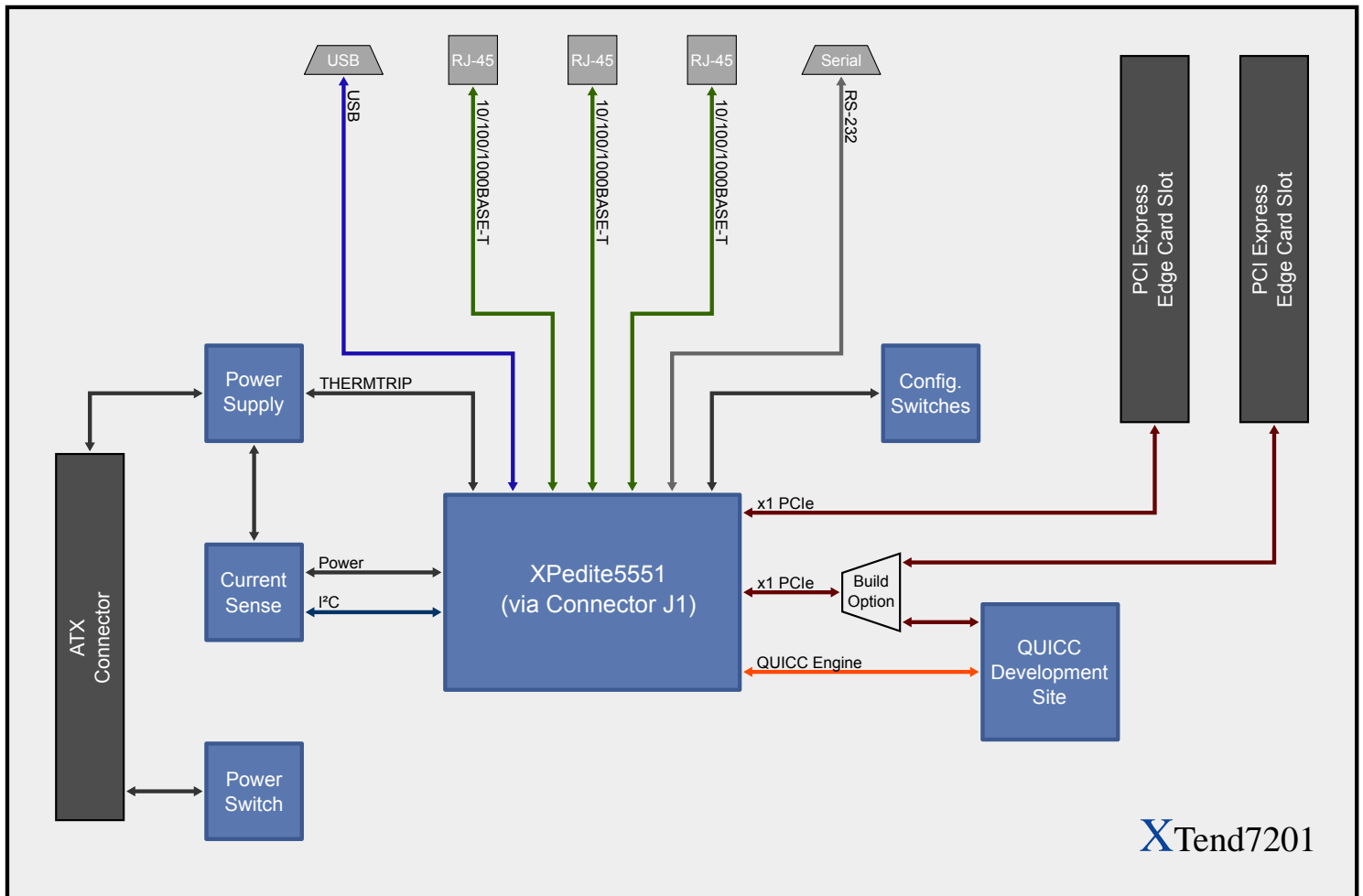
Contact factory for appropriate board configuration based on environmental requirements.

- Supported ruggedization levels (see chart below): 1
- Conformal coating available as an ordering option

**Power Requirements (from ATX supply)**

- Power will vary based on configuration and usage. Please consult factory.

Ruggedization Level	Level 1	Level 3	Level 5
Cooling Method	Standard Air-Cooled	Rugged Air-Cooled	Conduction-Cooled
Operating Temperature	0 to +55°C ambient (300 LFM)	-40 to +70°C (600 LFM)	-40 to +85°C (board rail surface)
Storage Temperature	-40 to +85°C ambient	-55 to +105°C ambient	-55 to +105°C (maximum)
Vibration	0.002 g <sup>2</sup> /Hz (maximum), 5 to 2000 Hz	0.04 g <sup>2</sup> /Hz (maximum), 5 to 2000 Hz	0.1 g <sup>2</sup> /Hz (maximum), 5 to 2000 Hz
Shock	20 g, 11 ms sawtooth	30 g, 11 ms sawtooth	40 g, 11 ms sawtooth
Humidity	0% to 95% non-condensing	0% to 95% non-condensing	0% to 95% non-condensing



XTend7201