

# CX-DP

Development Platform For XPand6000 Series and COM Express™

- ▶ Single COM Express site with AB and CD connectors
- ▶ For Freescale QorIQ based development, Type 5FS and Type 10 COM Express modules supported
- ▶ For Intel® Core™ i7 processor based development, Type 6 and Type 10 COM Express modules supported
- ▶ Single PMC/XMC site
- ▶ Single PIM/XIM site for PMC/XMC I/O
- ▶ Single COM Express I/O Module (CIM) site
- ▶ One RJ-45 Gigabit Ethernet connector
- ▶ Two USB 2.0 connectors
- ▶ Two DB-9 serial connectors
- ▶ One mini DisplayPort connector
- ▶ One eSATA connector
- ▶ One PCIe Edge card
- ▶ Specific configuration of COM Express module, carrier, and CIM may include more I/O options
- ▶ Three internal SATA connectors
- ▶ Two internal USB 2.0 connectors



## CX-DP

The CX-DP COM Express Development Platform targets the X-ES Small Form Factor (SFF) XPand6000 Series and other COM Express applications to enable early development and rapid prototyping. It provides a convenient desktop setup with standard I/O connectors. The CX-DP includes all of the functionality of the XPand6000 series, including support for a COM Express module, a PMC or XMC, and an SSD. With the CX-DP, the transition from development to the target XPand6000 Series system or custom COM Express carrier card is made easy.

The CX-DP provides basic COM Express I/O via fixed connectors, which are accessible through the back panel of its ATX chassis. Additionally, it provides a COM Express I/O Module (CIM) site for access to I/O not available at the fixed connectors. Simply removing the ATX case cover gives access to internal fixed I/O and PIM I/O.

An integrated fan located below the PMC/XMC site provides ample airflow for the most power-hungry modules. The CX-DP requires only +12 V from the ATX power supply, and it generates +5 V, +3.3 V, and -12 V supplies, avoiding voltage drops and power distribution problems commonly associated with using high-power cards and ATX supplies.

# X-ES

Extreme Engineering Solutions

*...Always Fast*

### Extreme Engineering Solutions

3225 Deming Way, Suite 120 • Middleton, WI 53562

Phone: 608.833.1155 • Fax: 608.827.6171

sales@xes-inc.com • <http://www.xes-inc.com>

**COM Express**

- Supports Type 5FS and Type 10 COM Express modules, specifically targeting Freescale QorIQ based modules
- Supports Type 6 and Type 10 COM Express modules, specifically targeting Intel Core i7 processor based modules
- Provides cutout for easy access to debug COM Express modules
- Extra I/O to CIM site

**PMC/XMC Mezzanine**

- 32/64-bit PCI/PCI-X up to 133 MHz
- Conventional PCI 33/66 MHz or PCI-X 66/100/133 MHz
- x8 PCIe from CD

**Internal I/O**

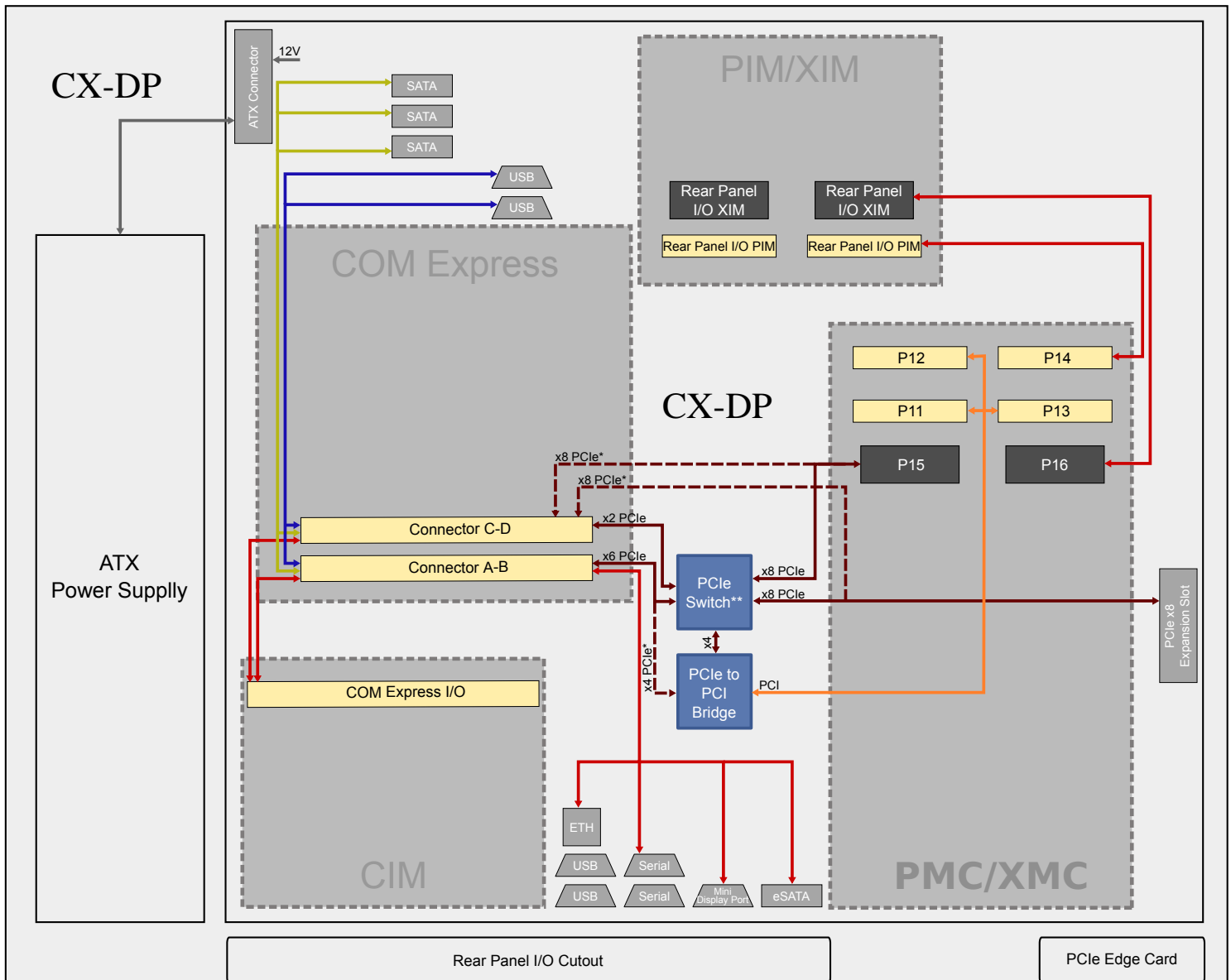
- Three SATA connectors
- Two USB 2.0 connectors

**PMC Rear I/O**

- Single PIM/XIM site for PMC/XMC rear I/O

**COM Express Rear I/O**

- Single CIM site for COM Express rear I/O
- One RJ-45 Gigabit Ethernet connector
- Two USB 2.0 connectors
- Two DB-9 serial connectors
- One mini DisplayPort connector
- One eSATA connector
- One PCIe Edge card
- Specific configuration of COM Express module, carrier, and CIM may include more I/O options



\* On the carrier card to support Intel-based COM Express modules  
 \*\* On the carrier card to support Freescale-based COM Express modules

