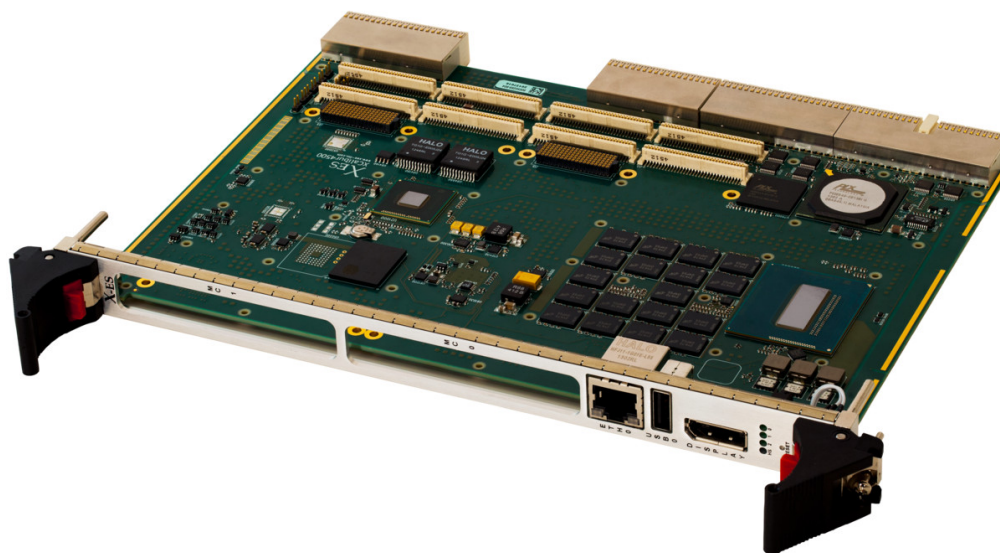


XCalibur4500

5th Generation Intel® Core™ i7 Broadwell-H Processor-Based Conduction- or Air-Cooled 6U CompactPCI Module

- › Supports 5th generation Intel® Core™ i7 (Broadwell-H) processors (available Q4 2015)
- › Supports 4th generation Intel® Core™ i7 (Haswell) processors
- › 6U CompactPCI module
- › Complies with PICMG 2.0, 2.1, 2.3, 2.9, 2.16
- › Conduction or air cooling
- › Up to 16 GB DDR3L-1600 ECC SDRAM in two channels
- › Up to 64 GB of NAND flash
- › Three Gigabit Ethernet ports
- › Three USB 2.0 high-speed ports
- › Four SATA ports
- › Two RS-232/422/485 serial ports
- › Two XMC/PMC interfaces
- › Two HDMI/DVI-D or Dual-Mode DisplayPort interfaces
- › Intel® vPro™/AMT support
- › Wind River VxWorks BSP
- › Linux BSP
- › Microsoft Windows drivers
- › Contact factory for availability of Green Hills INTEGRITY, QNX Neutrino, and LynuxWorks LynxOS BSPs



XCalibur4500

The XCalibur4500 is a high-performance 6U CompactPCI single board computer that is ideal for ruggedized systems requiring high-bandwidth processing and low power consumption. With the 5th generation Intel® Core™ i7 Broadwell-H processor, the XCalibur4500 delivers superior performance and efficiency for today's network information processing and high performance embedded computing applications. The XCalibur4500 leverages Intel® Iris™ Pro graphics for graphics-intensive tasks and serves as a general purpose GPU for demanding data processing applications.

The XCalibur4500 provides up to 16 GB DDR3L-1600 ECC SDRAM in two separate channels, two XMC/PrPMC slots, and up to 64 GB of NAND flash. The XCalibur4500 also hosts numerous I/O ports, including Gigabit Ethernet, USB, SATA, graphics, and RS-232/422/485 serial ports through the backplane connectors.

The XCalibur4500 is a powerful, feature-rich solution for the next generation of compute-intensive embedded applications. Wind River VxWorks and Linux Board Support Packages (BSPs) are available, as well as Microsoft Windows drivers.

X-ES

Extreme Engineering Solutions

...Always Fast

Extreme Engineering Solutions

3225 Deming Way, Suite 120 • Middleton, WI 53562

Phone: 608.833.1155 • Fax: 608.827.6171

sales@xes-inc.com • <http://www.xes-inc.com>

Processor

- 5th generation Intel® Core™ i7 (Broadwell-H)
- 4th generation Intel® Core™ i7 (Haswell)
- Integrated high-performance 3D graphics controller
- Up to Intel® Iris™ Pro Graphics 6200

Memory

- Up to 16 GB of DDR3L-1600 ECC SDRAM in two channels
- Up to 64 GB of NAND flash
- 64 MB NOR boot flash
- 64 kB EEPROM

cPCI

- 66 MHz 64-bit PCI interface to J1 and J2
- PICMG 2.1 (Hot Swap support)
- PICMG 2.3 (PMC I/O to P3 and P5)
- PICMG 2.9 (dedicated IPMI controller)
- PICMG 2.16 (two 10/100/1000BASE-T Ethernet ports)

PrPMC

- PCI-X (32/64-bit, 66/100 MHz)
- PCI (32/64-bit, 33/66 MHz)

XMC (VITA 42.3)

- x8 PCI Express Gen3-capable

Front Panel I/O (Optional)

- Dual-Mode DisplayPort interface
- One 10/100/1000BASE-T Ethernet port
- One USB 2.0 port
- General-purpose LEDs

Rear Panel I/O

- Two 10/100/1000BASE-T Ethernet ports
- Four SATA ports capable of 3 Gb/s
- Two USB 2.0 ports
- HDMI/DVI-D or Dual-Mode DisplayPort interface
- Two RS-232/422/485 serial ports
- 3.3 V GPIO signals
- PMC I/O

Additional Features

- Non-volatile memory write protection
- Optional Trusted Platform Module (TPM)
- IEEE 1588 support on two Gigabit Ethernet ports
- Intel® Active Management Technology (AMT) supported by Intel® vPro™ Technology

Software Support

- Wind River VxWorks BSP
- Linux BSP
- Microsoft Windows drivers
- Contact factory for availability of Green Hills INTEGRITY, QNX Neutrino, and LynuxWorks LynxOS BSPs

Physical Characteristics

- 6U CompactPCI conduction- or air-cooled form factor
- Dimensions: 233 mm x 160 mm

Environmental Requirements

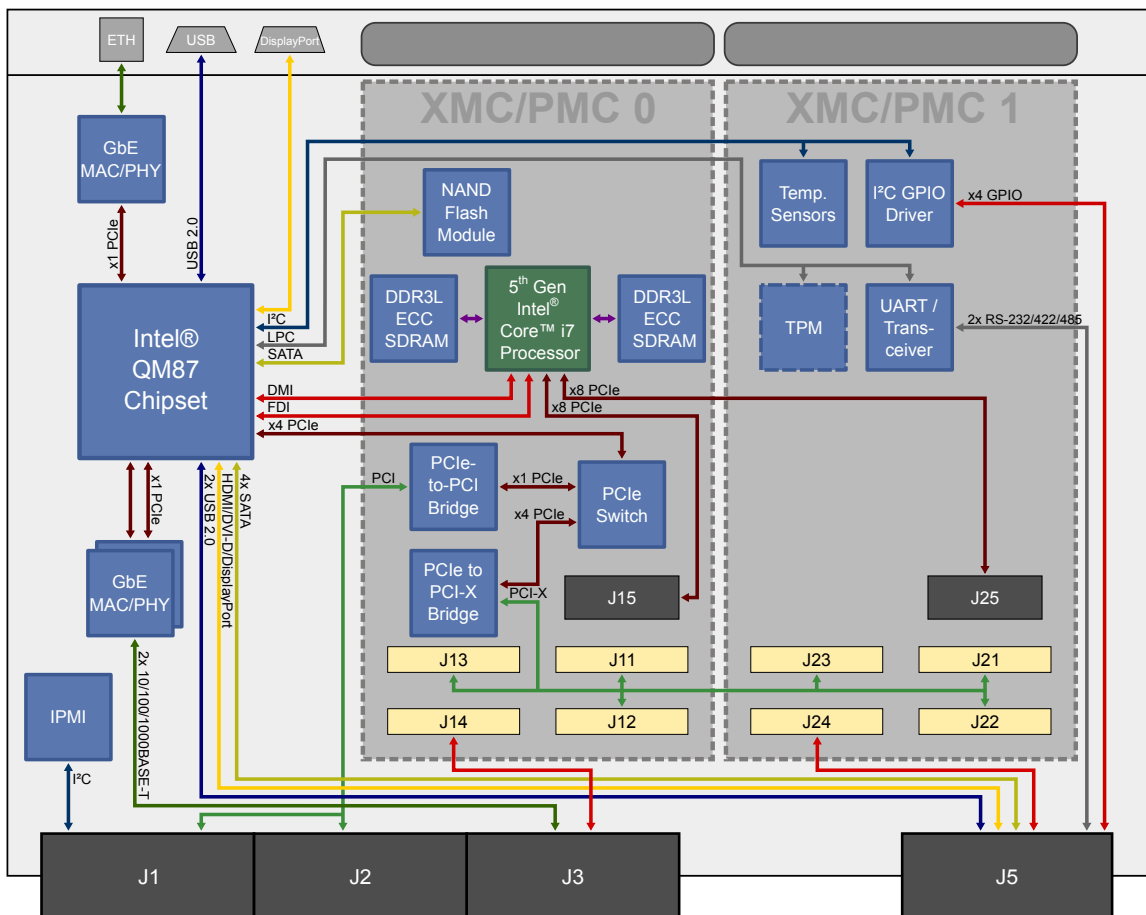
Contact factory for appropriate board configuration based on environmental requirements.

- Supported ruggedization levels (see chart below): 1, 3, 5
- Conformal coating available as an ordering option
- Thermal performance will vary based on CPU frequency and application

Power Requirements

- Power will vary based on configuration and usage. Please consult factory.

Ruggedization Level	Level 1	Level 3	Level 5
Cooling Method	Standard Air-Cooled	Rugged Air-Cooled	Conduction-Cooled
Operating Temperature	0 to +55°C ambient (300 LFM)	-40 to +70°C (600 LFM)	-40 to +85°C (board rail surface)
Storage Temperature	-40 to +85°C ambient	-55 to +105°C ambient	-55 to +105°C ambient
Vibration	0.002 g ² /Hz, 5 to 2000 Hz	0.04 g ² /Hz (maximum), 5 to 2000 Hz	0.1 g ² /Hz (maximum), 5 to 2000 Hz
Shock	20 g, 11 ms sawtooth	30 g, 11 ms sawtooth	40 g, 11 ms sawtooth
Humidity	0% to 95% non-condensing	0% to 95% non-condensing	0% to 95% non-condensing



XCalibur4500

