

# XPort3301

Conduction- or Air-Cooled XMC with Dual 10GBASE-T 10 Gigabit Ethernet Interfaces

- › Utilizes the Intel® X540 dual 10GbE controller
- › x8 PCI Express 2.0 VITA 42.3 P15 interface
- › Front panel or rear I/O
- › Dual 10GBASE-T 10GbE front panel (RJ-45) interfaces
- › Dual 10GBASE-T 10GbE rear (P16) interfaces
- › Conduction- or air-cooled
- › Linux drivers
- › Wind River VxWorks drivers
- › Microsoft Windows drivers
- › IEEE 1588 support (optional)



## XPort3301

The XPort3301 is a conduction- or air-cooled dual 10GBASE-T 10 Gigabit Ethernet XMC with front panel or rear I/O support. A x8 PCI Express 2.0 port is routed per VITA 42.3 to the P15 connector for interfacing with the host module.

Front panel I/O for the 10GBASE-T 10 Gigabit Ethernet interfaces is provided with up to two RJ-45 connectors. The XPort3301 supports rear 10GBASE-T I/O through the P16 connector and utilizes X12d I/O mapping per VITA 46.9. The module utilizes automatic negotiation down to 100BASE-TX and 1000BASE-T on both 10GBASE-T ports. The XPort3301 can also support IEEE 1588 and the use of an externally sourced clock reference, such as a 1PPS, for synchronization.

# X-ES

Extreme Engineering Solutions

*...Always Fast*

### Extreme Engineering Solutions

3225 Deming Way, Suite 120 • Middleton, WI 53562

Phone: 608.833.1155 • Fax: 608.827.6171

sales@xes-inc.com • <http://www.xes-inc.com>

**Ethernet Controller**

- Intel® X540 dual 10GbE controller
- IEEE 1588 support (optional)
- SR-IOV support

**Front Panel I/O Options**

- Dual 10GBASE-T 10GbE interfaces (RJ-45)

**Rear I/O Options**

- Dual 10GBASE-T 10GbE interfaces (P16)
- X12d mapping per VITA 46.9
- Support for an external clock reference for IEEE 1588 synchronization (optional)

**Configuration Options**

- Single front panel (RJ-45) and single rear (P16 I/O) 10GBASE-T 10GbE ports (air-cooled only)
- Dual rear panel (P16 I/O) 10GBASE-T 10GbE ports (conduction- or air-cooled)
- Dual front panel (RJ-45) 10GBASE-T 10GbE ports (air-cooled only)

**XMC VITA 42.3 PCIe**

- x8 PCI Express 2.0 interface

**Environmental Requirements**

Contact factory for appropriate board configuration based on environmental requirements.

- Supported ruggedization levels (see chart below): 1, 3, 5
- Conformal coating available as an ordering option

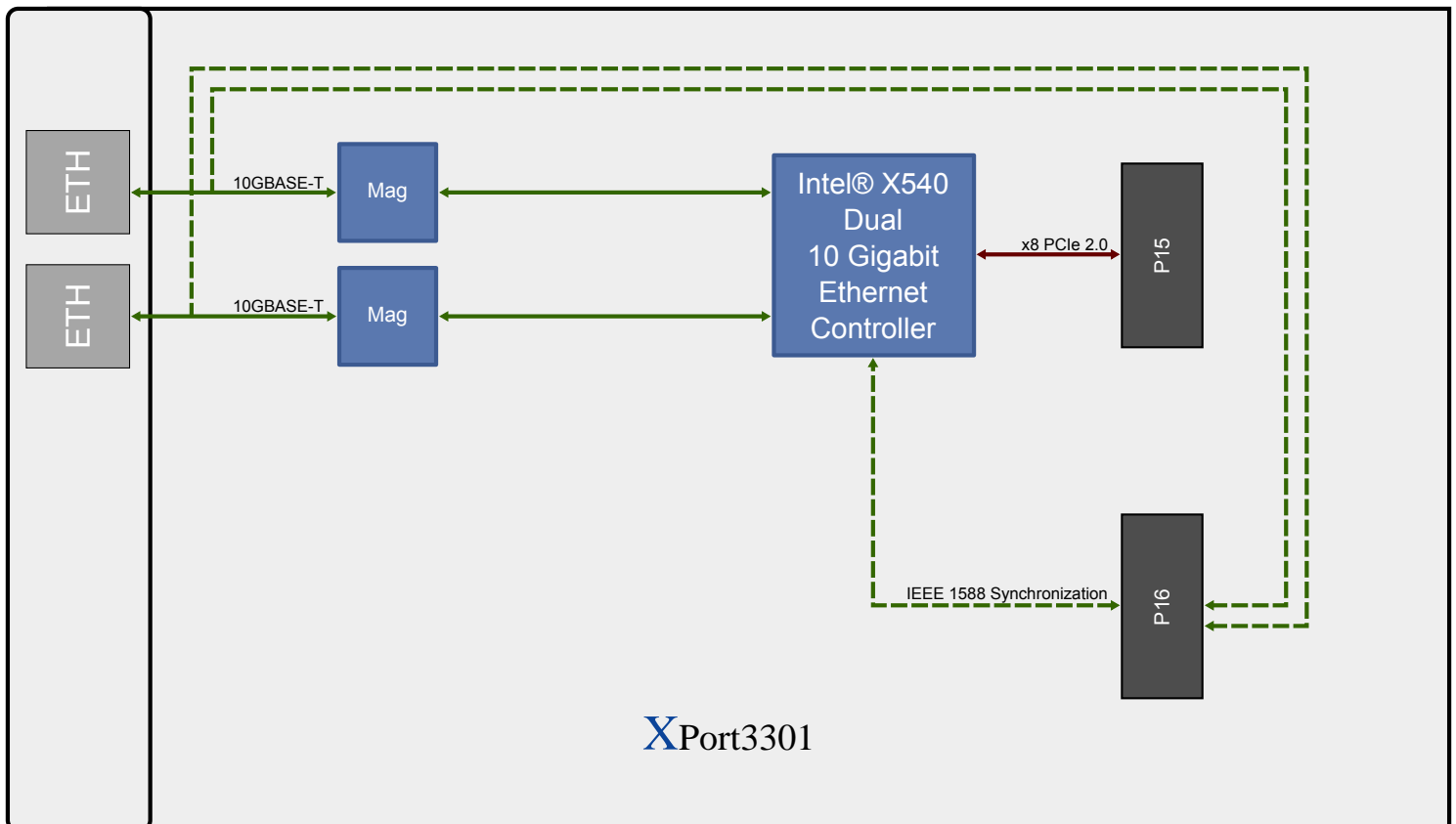
**Software Requirements**

- Linux drivers
- Wind River VxWorks drivers
- Microsoft Windows drivers

**Power Requirements**

- Less than 14.5 W

Ruggedization Level	Level 1	Level 3	Level 5
Cooling Method	Standard Air-Cooled	Rugged Air-Cooled	Conduction-Cooled
Operating Temperature	0 to +55°C ambient (300 LFM)	-40 to +70°C (600 LFM)	-40 to +85°C (board rail surface)
Storage Temperature	-40 to +85°C ambient	-55 to +105°C ambient	-55 to +105°C ambient
Vibration	0.002 g <sup>2</sup> /Hz, 5 to 2000 Hz	0.04 g <sup>2</sup> /Hz (maximum), 5 to 2000 Hz	0.1 g <sup>2</sup> /Hz (maximum), 5 to 2000 Hz
Shock	20 g, 11 ms sawtooth	30 g, 11 ms sawtooth	40 g, 11 ms sawtooth
Humidity	0% to 95% non-condensing	0% to 95% non-condensing	0% to 95% non-condensing



XPort3301

